

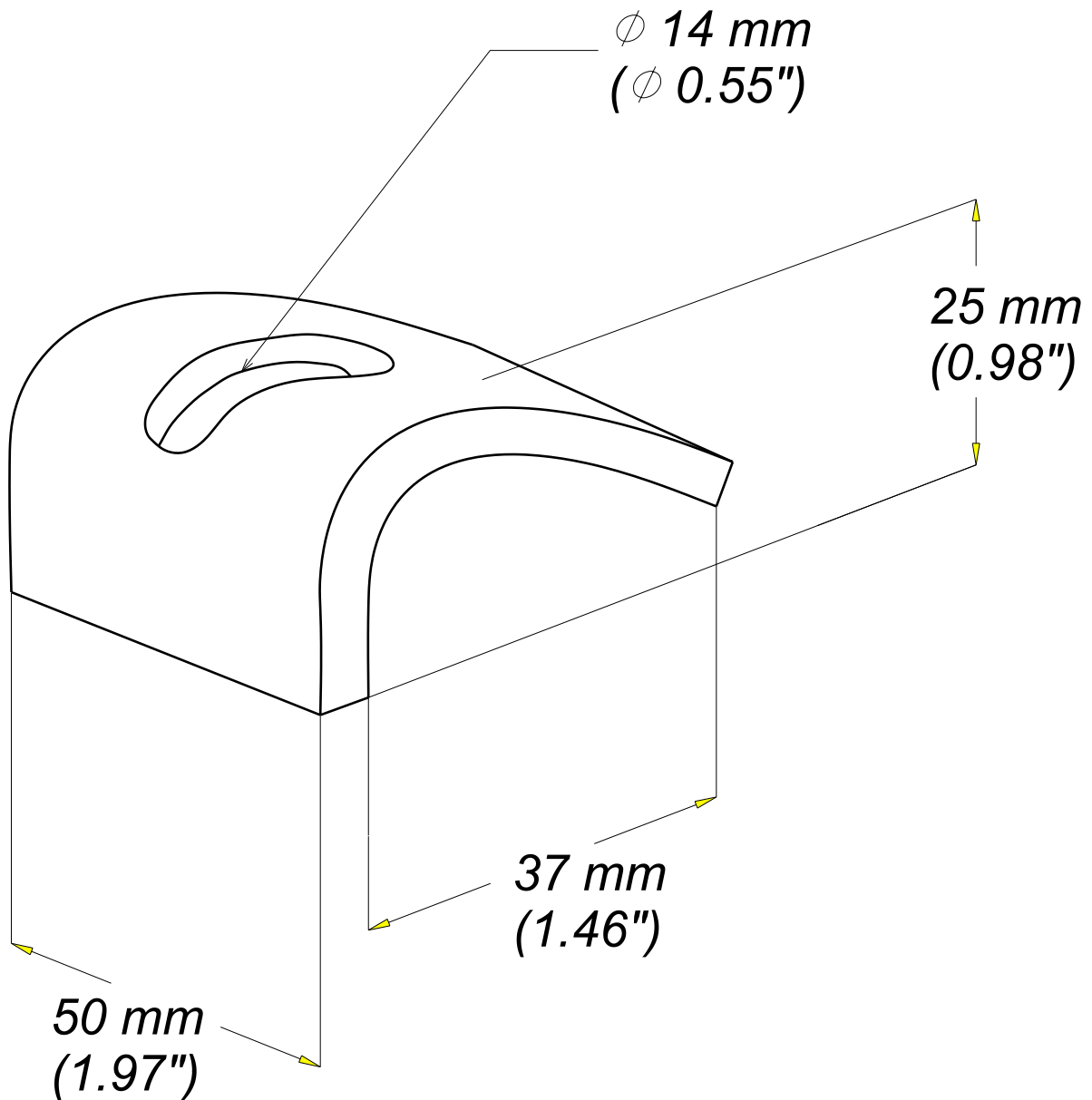
CALE DE FIXATION CFU
CFU ATTACHMENT CLAMP

GC
HDG

CABLOFIL®
INNOVATORS IN CABLE MANAGEMENT

FT0208-3

04 16



EPAISSEUR / THICKNESS 6 / 0.24"	NORMES / STANDARD
MATIERE / MATERIAL S235 JR	EN 10025-2
PROTECTION / COATING GC / HDG	Class 6 according to CEI 61537

REF	CODE	POIDS (Kg)	WEIGHT (lb)
CFU	559 063	0.160	0.353