

CONSOLE CU 50 à 300  
CU BRACKET 50 to 300

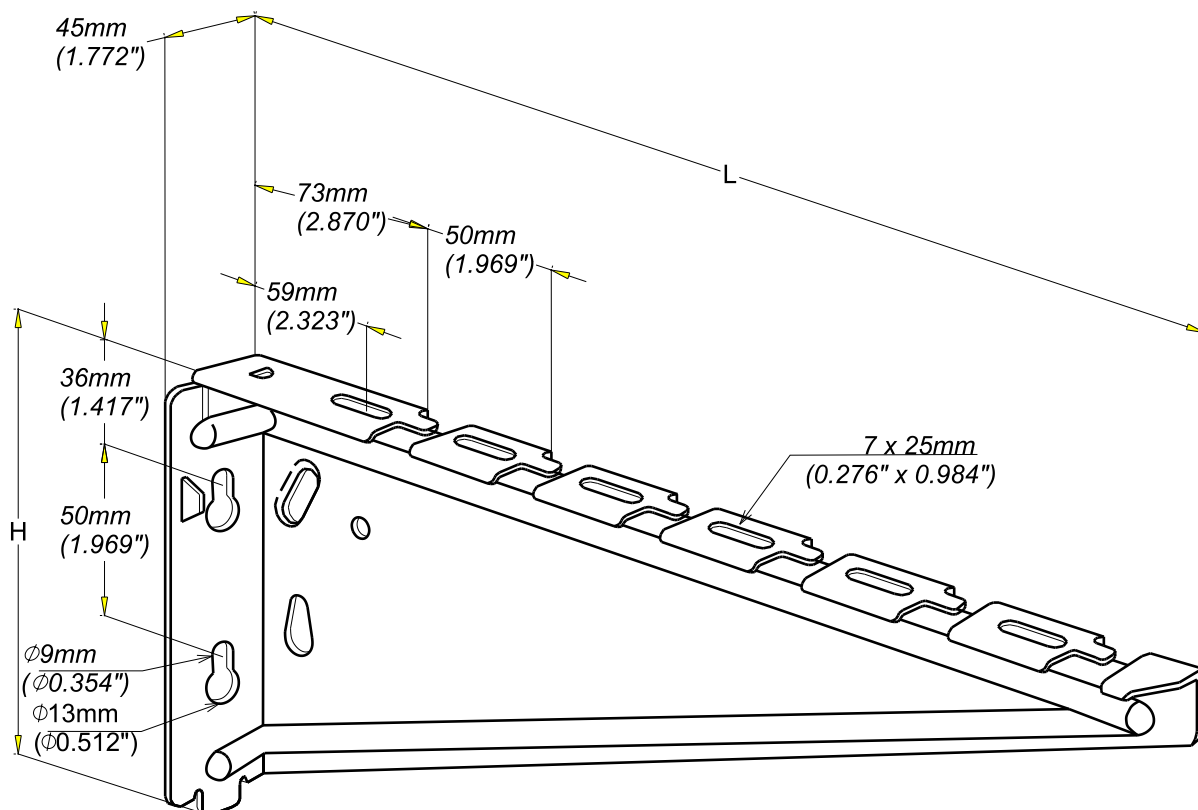
GC  
HDG

**CABLOFIL®**

INNOVATORS IN CABLE MANAGEMENT

FT0205-3

04 / 16



| REF    | CODE    | POIDS<br>(Kg) | / WEIGHT<br>(lb) | L (mm) | /L (inch) | H (mm) | /H (inch) | Ep./Th.     |
|--------|---------|---------------|------------------|--------|-----------|--------|-----------|-------------|
| CU 50  | 557 403 | 0.100         | 0.220            | 107    | 4.21      | 85     | 3.35      | 0.8 / 0.032 |
| CU 100 | 557 413 | 0.140         | 0.309            | 157    | 6.18      | 85     | 3.35      | 1.0 / 0.04  |
| CU 150 | 557 423 | 0.240         | 0.530            | 207    | 8.16      | 124    | 4.88      | 1.0 / 0.04  |
| CU 200 | 557 433 | 0.300         | 0.662            | 257    | 10.13     | 139    | 5.48      | 1.0 / 0.04  |
| CU 300 | 557 443 | 0.420         | 0.927            | 357    | 15.07     | 139    | 5.48      | 1.2 / 0.05  |

|                                  |                                   |
|----------------------------------|-----------------------------------|
|                                  | NORME /<br>STANDARD               |
| MATIERE / MATERIAL<br>DC 01 Am   | EN 10130                          |
| PROTECTION / COATING<br>GC / HDG | Class 6<br>according to CEI 61537 |

Propriété exclusive de CABLOFIL, ne peut être ni copié, ni transmis à des tiers sans autorisation écrite.

Exclusive property of CABLOFIL, shouldn't be reproduced or transmitted to any people without written authorization.