

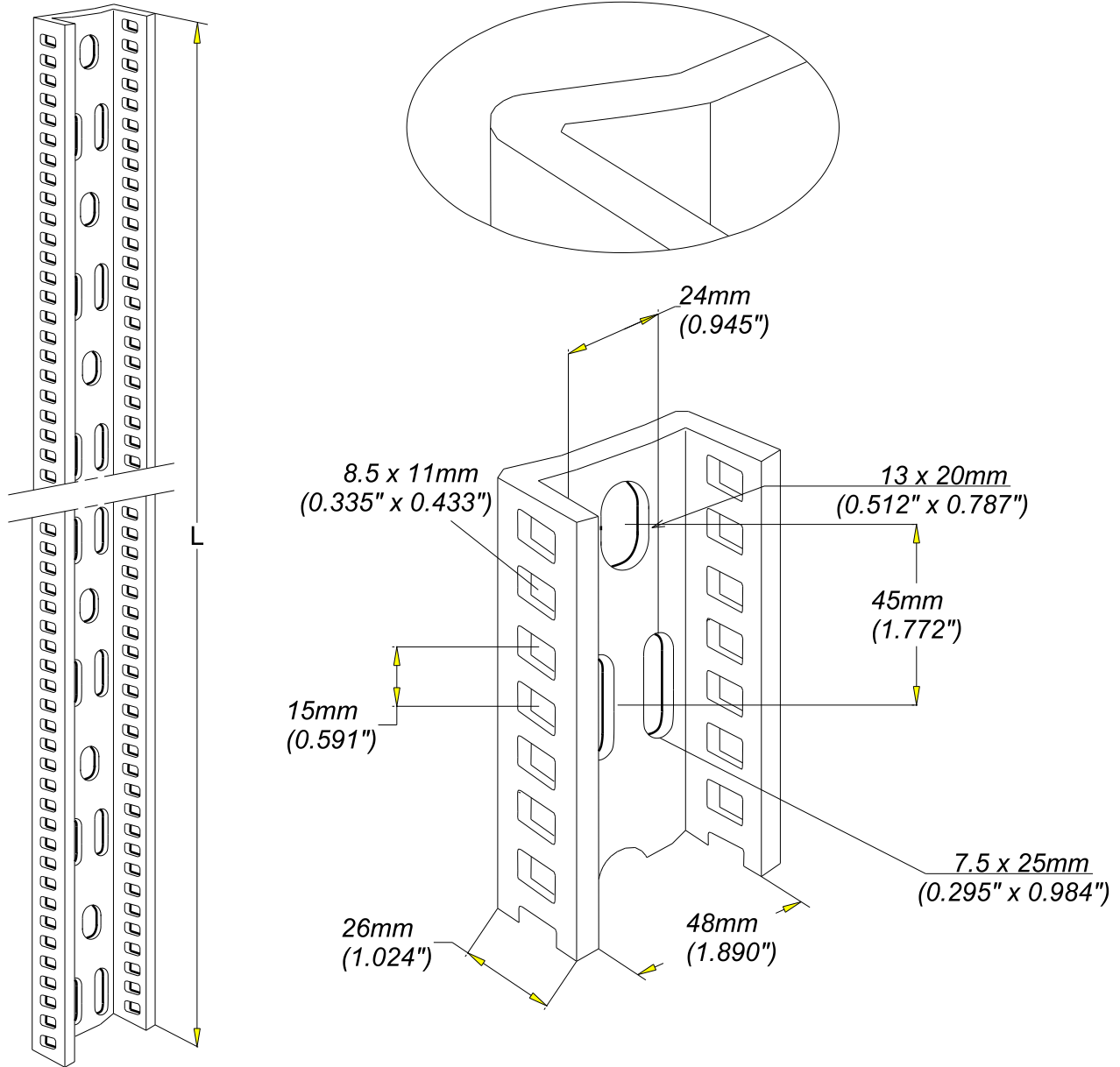
ECHELLE EDF EDF RISER

GC
HDG

CABLOFIL®
INNOVATORS IN CABLE MANAGEMENT

FT0204-3

04-16



REF	CODE	POIDS / WEIGHT (Kg/m) (lb/ft)		L (mm)	L (inch)
EDF2/1000	561 093	1.690	1.135	990	38.97
EDF2/2000	561 013	1.690	1.135	1980	77.95
EDF2/3000	561 023	1.690	1.135	2970	116.9

EPAISSEUR / THICKNESS 2 / (0.08")	NORME / STANDARD
MATIERE / MATERIAL S 235 JR	EN 10025-2
PROTECTION / COATING GC / HDG	Class 6 according to CEI 61537

Propriété exclusive de CABLOFIL, ne peut être ni copié, ni transmis à des tiers sans autorisation écrite.
Exclusive property of CABLOFIL, shouldn't be reproduced or transmitted to any people without written authorization.