

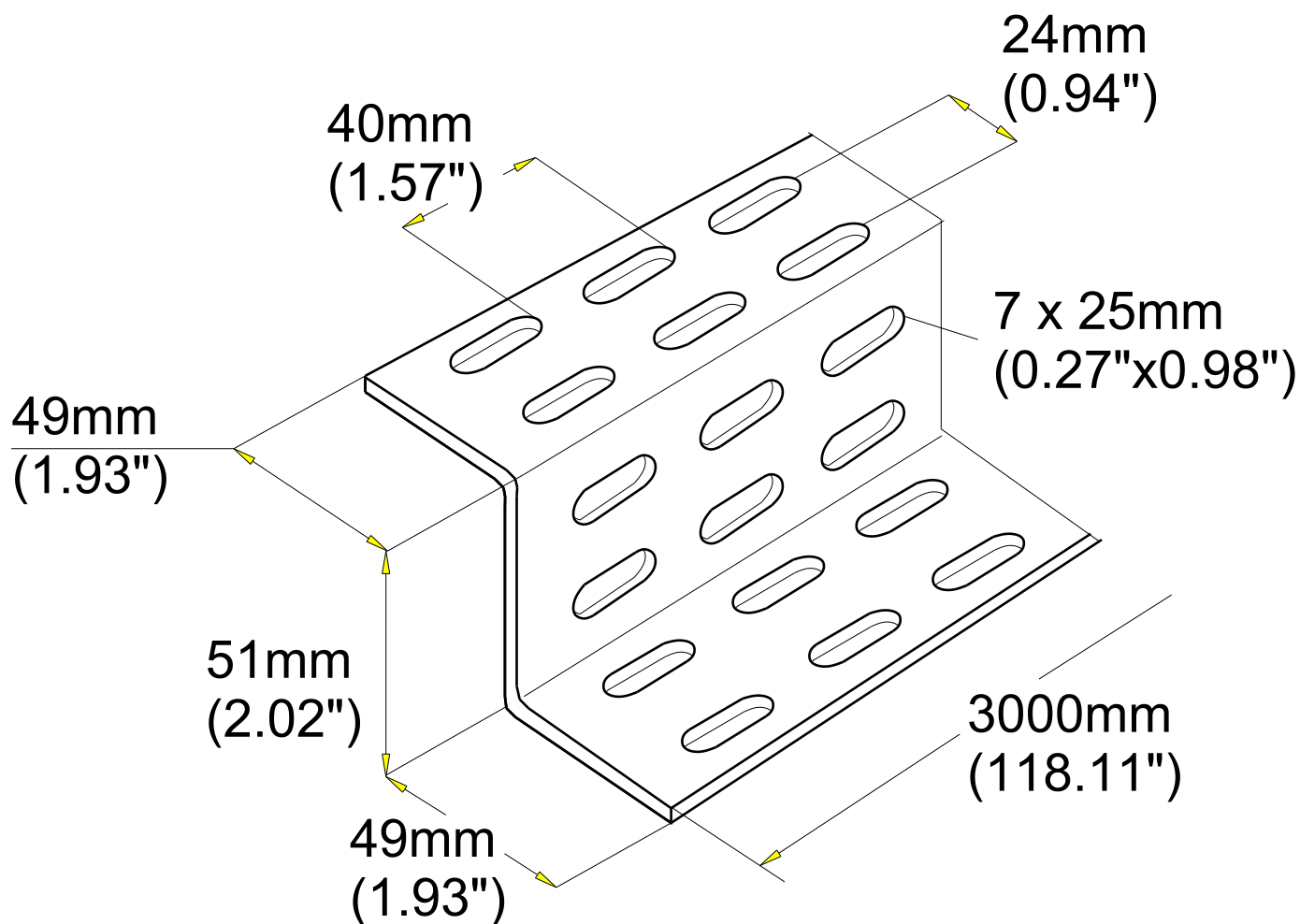
PROFIL Z 48x48x48
Z SECTION 48x48x48

GC
HDG



FT0202-3

03 / 16



EPAISSEUR / THICKNESS 1.5 / 0.06"	NORME / STANDARD
MATIERE / MATERIAL S 235 JR	EN 10025-2
PROTECTION / COATING GC / HDG	EN ISO 1461

REF	CODE	POIDS (Kg/m)	/ WEIGHT (lb/ft)
Z48x48x48	524 213	1.620	1.090