

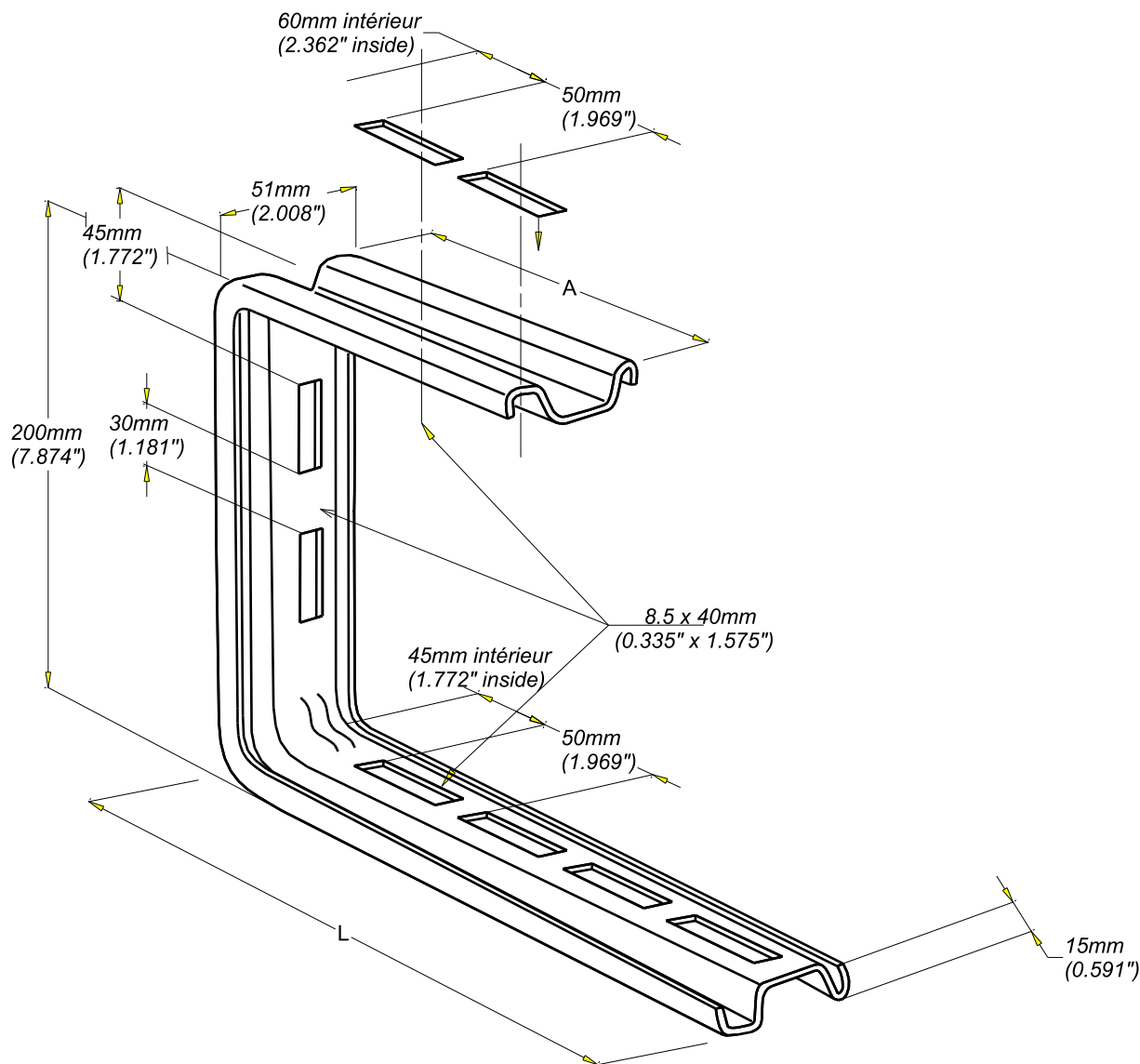
# CONSOLE CSC CSC BRACKET

GS  
PG

**CABLOFIL®**  
INNOVATORS IN CABLE MANAGEMENT

FT0163-0

03 / 16



REF	CODE	POIDS (Kg)	WEIGHT (lb)	L (mm)	L (inch)	A (mm)	A (inch)	Ep./Th. (mm)	Ep./Th. (inch)	NORME / STANDARD
CSC 100	002 760	0.360	0.794	168	6.62	131	5.16	1.5	0.06	MATIERE / MATERIAL DX51 D Z275 MAC PROTECTION / COATING GS / PG
CSC 200	002 770	0.620	1.367	260	10.24	180	7.08	2	0.08	
CSC 300	002 780	0.900	1.984	360	14.17	230	9.05	2.5	0.1	

Propriété exclusive de CABLOFIL, ne peut être ni copié, ni transmis à des tiers sans autorisation écrite.  
Exclusive property of CABLOFIL, shouldn't be reproduced or transmitted to any people without written authorization.