

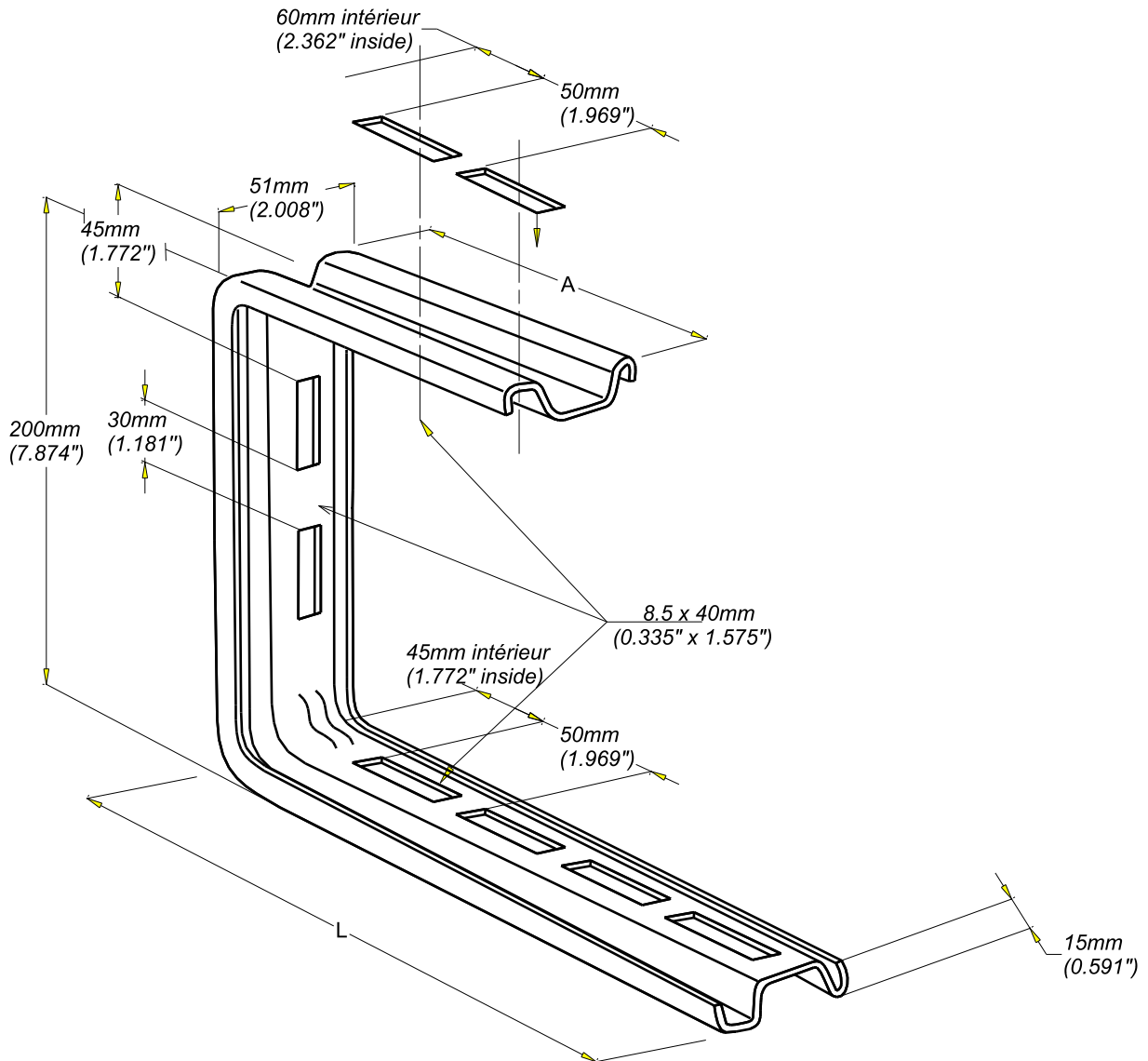
CONSOLE CSC CSC BRACKET

GC
HDG

CABLOFIL®
INNOVATORS IN CABLE MANAGEMENT

FT0163-3

03 / 16



REF	CODE	POIDS / WEIGHT		L / L		A / A		Ep./Th.		NORME / STANDARD
		(Kg)	(lb)	(mm)	(inch)	(mm)	(inch)	(mm)	(inch)	
CSC 100	002 763	0.400	0.882	168	6.62	131	5.16	1.5	0.06	Matière / Material S 235 JR EN 10025-2
CSC 200	002 773	0.670	1.477	260	10.24	180	7.08	2	0.08	
CSC 300	002 783	0.960	2.116	360	14.17	230	9.05	2.5	0.1	PROTECTION / COATING GC / HDG EN ISO 1461

Propriété exclusive de CABLOFIL, ne peut être ni copié, ni transmis à des tiers sans autorisation écrite.
Exclusive property of CABLOFIL, shouldn't be reproduced or transmitted to any people without written authorization.