

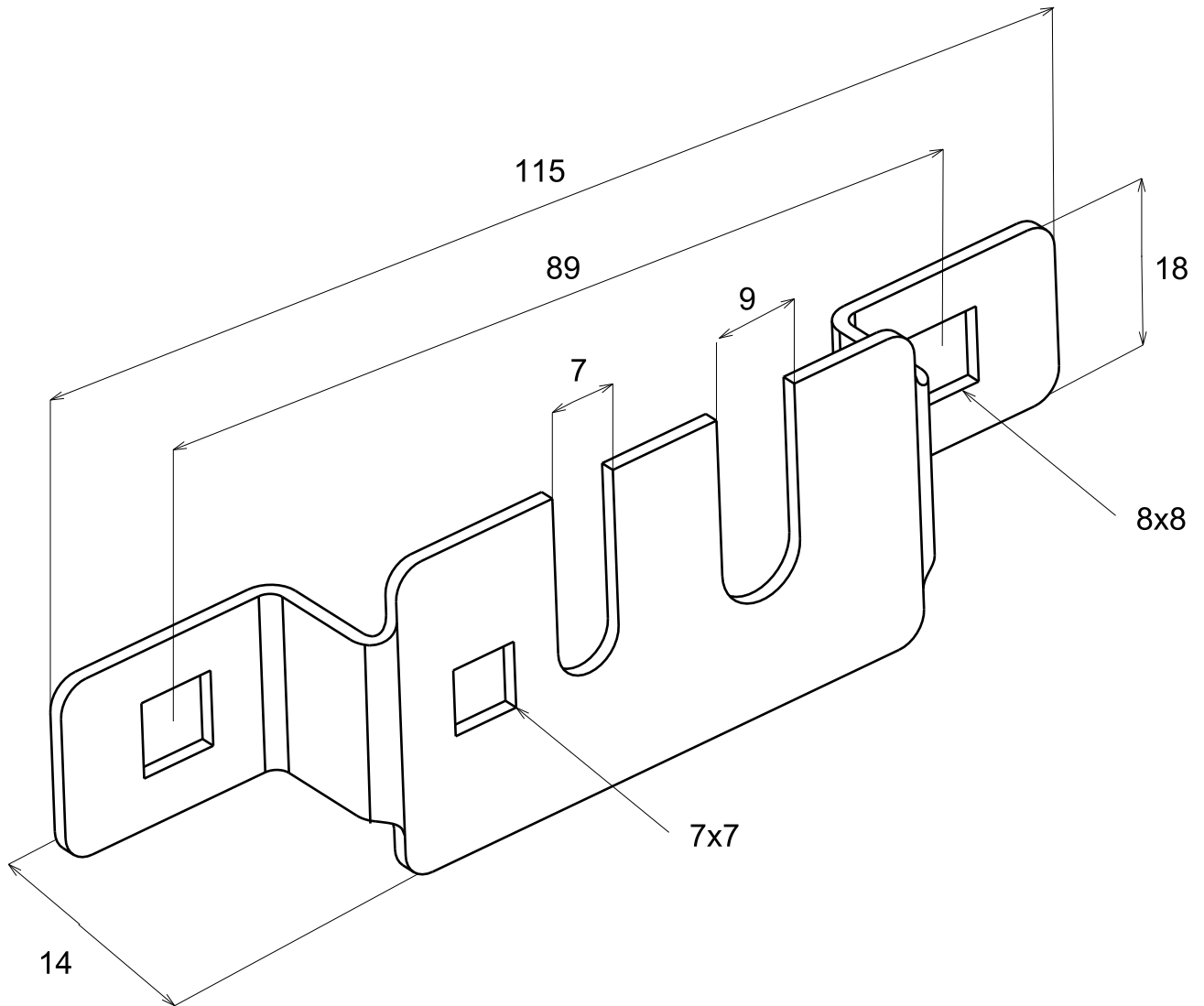
SUPPORT DE BORNE SBU
TERMINAL SUPPORT SBU

GS
PG

CABLOFIL®
 INNOVATORS IN CABLE MANAGEMENT

FT 0161-0

03 / 16



EPAISSEUR / THICKNESS 1.5 / 0.06"	NORME / STANDARD
MATIERE / MATERIAL DX51 D Z275 MAC	EN 10346
PROTECTION / COATING GS / PG	

REF	CODE	POIDS / WEIGHT (Kg) / (lb)	
SBU	585 090	0.037	0.082