

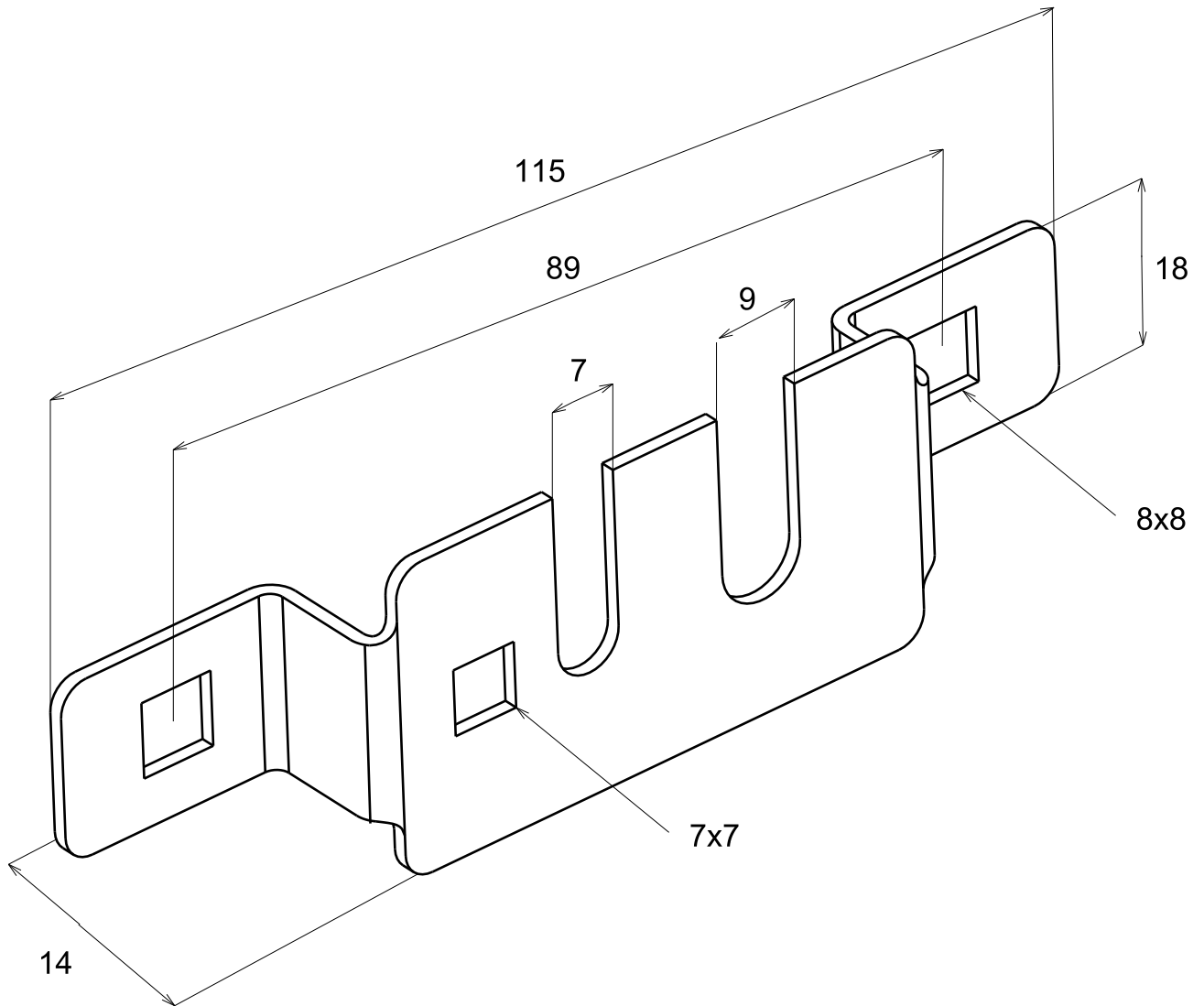
SUPPORT DE BORNE SBU
TERMINAL SUPPORT SBU

GC
HDG

CABLOFIL®
 INNOVATORS IN CABLE MANAGEMENT

FT 0161-3

03 / 16



REF	CODE	POIDS / WEIGHT	
		(Kg)	(lb)
SBU	585 093	0.040	0.088

EPAISSEUR / THICKNESS 1.5 / 0.06"	NORME / STANDARD
MATIERE / MATERIAL S 235 JR	EN 10025-2
PROTECTION / COATING GC / HDG	EN ISO 1461