

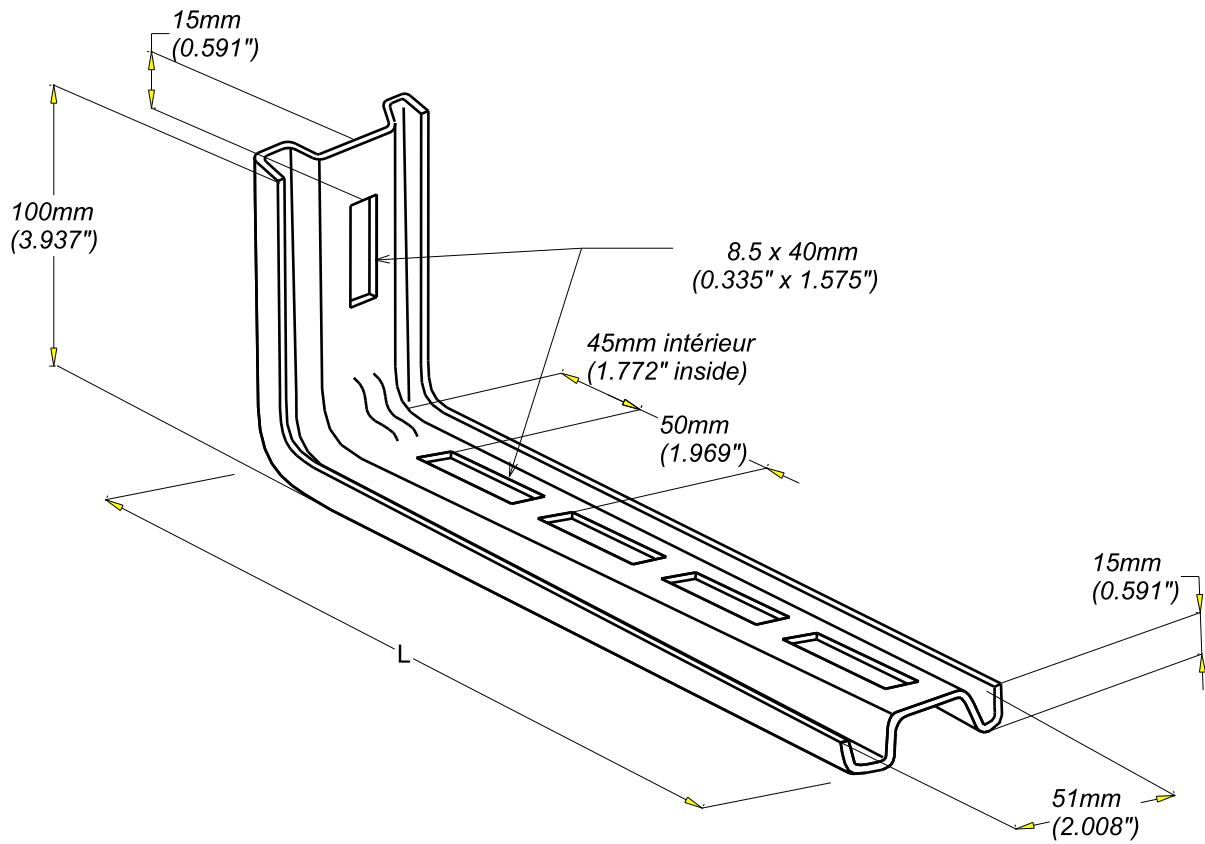
CONSOLE CS
CS BRACKET

316L
316L

legrand | CABLE
MANAGEMENT

FT0160-4

03 / 16



REF	CODE	POIDS / WEIGHT		L / L		Ep. / Th.		NORME / STANDARD
		(Kg)	(lb)	(mm)	(inch)	(mm)	(inch)	
CS 100	002 704	0.188	0.415	170	6.69	1.5	0.06	EN 10088-2
CS 200	002 714	0.346	0.763	260	10.24	2	0.08	
CS 300	002 724	0.560	1.235	360	14.17	2.5	0.1	
MATIERE / MATERIAL								316L
X2 Cr Ni Mo 17-12-2								
PROTECTION / COATING								
316L								

Propriété exclusive de LEGRAND, ne peut être ni copié, ni transmis à des tiers sans autorisation écrite.
Exclusive property of LEGRAND, shouldn't be reproduced or transmitted to any people without written authorization.