

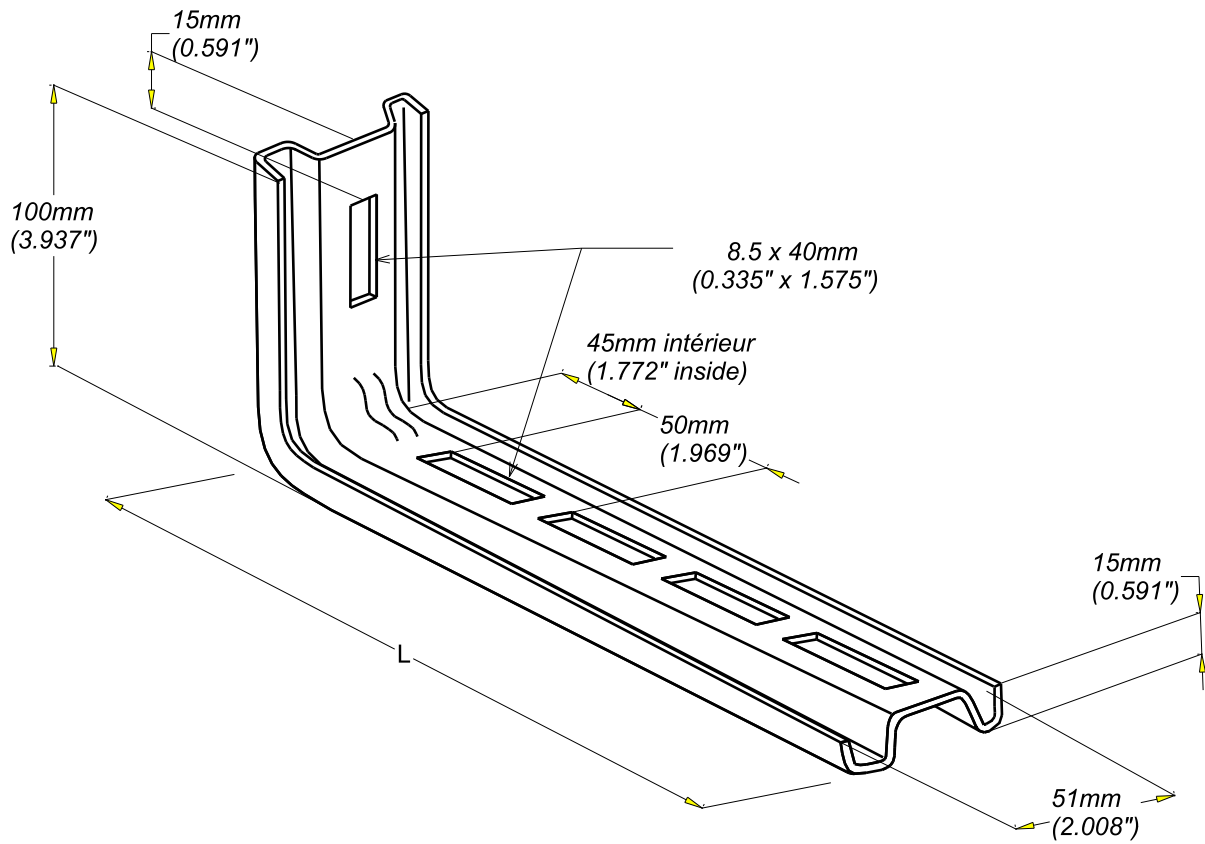
CONSOLE CS
CS BRACKET

GS
PG

CABLOFIL®
INNOVATORS IN CABLE MANAGEMENT

FT0160-0

03 / 16



REF	CODE	POIDS / WEIGHT		L / L		Ep. / Th.		NORME / STANDARD
		(Kg)	(lb)	(mm)	(inch)	(mm)	(inch)	
CS 100	002 700	0.188	0.415	170	6.69	1.5	0.06	
CS 200	002 710	0.346	0.763	260	10.24	2	0.08	
CS 300	002 720	0.560	1.235	360	14.17	2.5	0.1	
Matière / Material								EN 10346
DX51 D Z275 MAC								
Protection / Coating								
GS / PG								

Propriété exclusive de CABLOFIL, ne peut être ni copié, ni transmis à des tiers sans autorisation écrite.
Exclusive property of CABLOFIL, shouldn't be reproduced or transmitted to any people without written authorization.