

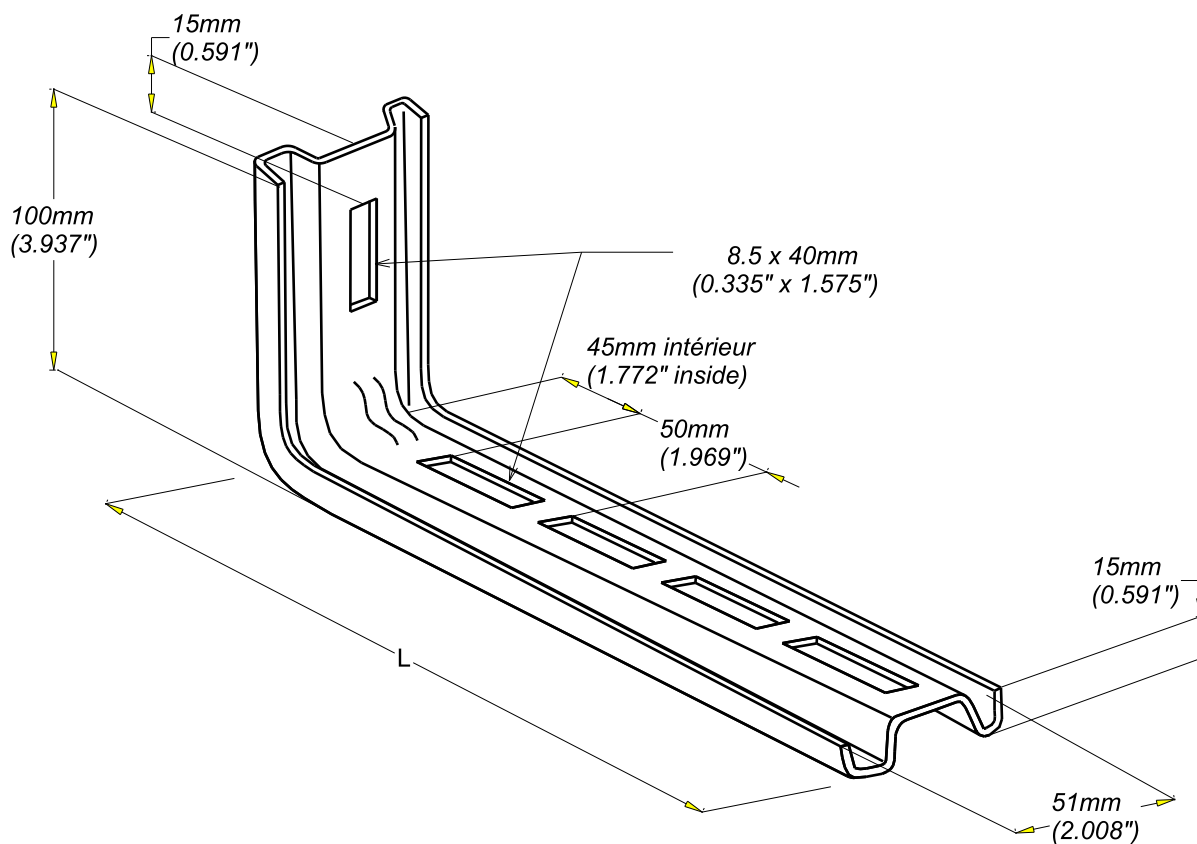
# CONSOLE CS CS BRACKET

GC  
HDG

**CABLOFIL®**  
INNOVATORS IN CABLE MANAGEMENT

FT0160-3

03 / 16



REF	CODE	POIDS / WEIGHT		L / L		Ep. / Th.	
		(Kg)	(lb)	(mm)	(inch)	(mm)	(inch)
CS 100	002 703	0.207	0.457	170	6.69	1.5	0.06
CS 200	002 713	0.370	0.816	260	10.24	2	0.08
CS 300	002 723	0.594	1.310	360	14.17	2.5	0.1

NORME / STANDARD	
MATIERE / MATERIAL	EN 10025-2
S 235 JR	
PROTECTION / COATING	EN ISO 1461
GC / HDG	

Propriété exclusive de CABLOFIL, ne peut être ni copié, ni transmis à des tiers sans autorisation écrite.  
Exclusive property of CABLOFIL, shouldn't be reproduced or transmitted to any people without written authorization.