

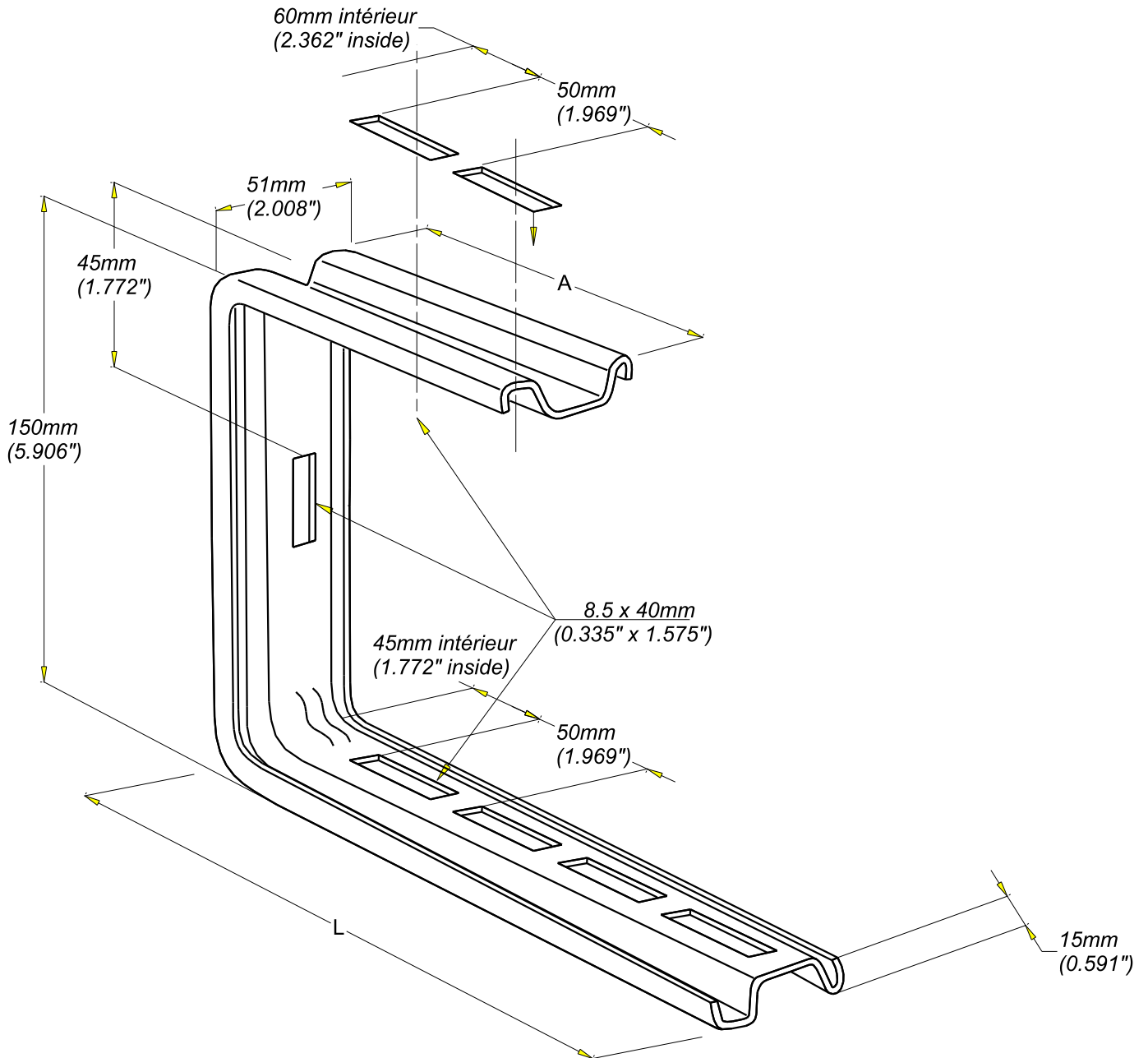
CONSOLE CSCC CSCC BRACKET

GC
HDG

legrand | CABLE
MANAGEMENT

FT0159-3

03 / 16



| REF | CODE | POIDS / WEIGHT | | L / L | | A / A | | Ep. / Th. | |
|---------|---------|----------------|-------|-------|--------|-------|--------|-----------|--------|
| | | (Kg) | (lb) | (mm) | (inch) | (mm) | (inch) | (mm) | (inch) |
| CSCC100 | 012 763 | 0.330 | 0.730 | 168 | 9.57 | 130 | 5.11 | 1.5 | 0.06 |
| CSCC200 | 012 773 | 0.608 | 1.340 | 260 | 12.71 | 180 | 7.08 | 2 | 0.08 |
| CSCC300 | 012 783 | 0.900 | 1.990 | 360 | 14.29 | 230 | 9.05 | 2.5 | 0.1 |

| | |
|-----------------------------|-------------------------|
| Matière / Material | Norme / Standard |
| S 235 JR | EN 10025-2 |
| Protection / Coating | Norme / Standard |
| HDG | EN ISO 1461 |