

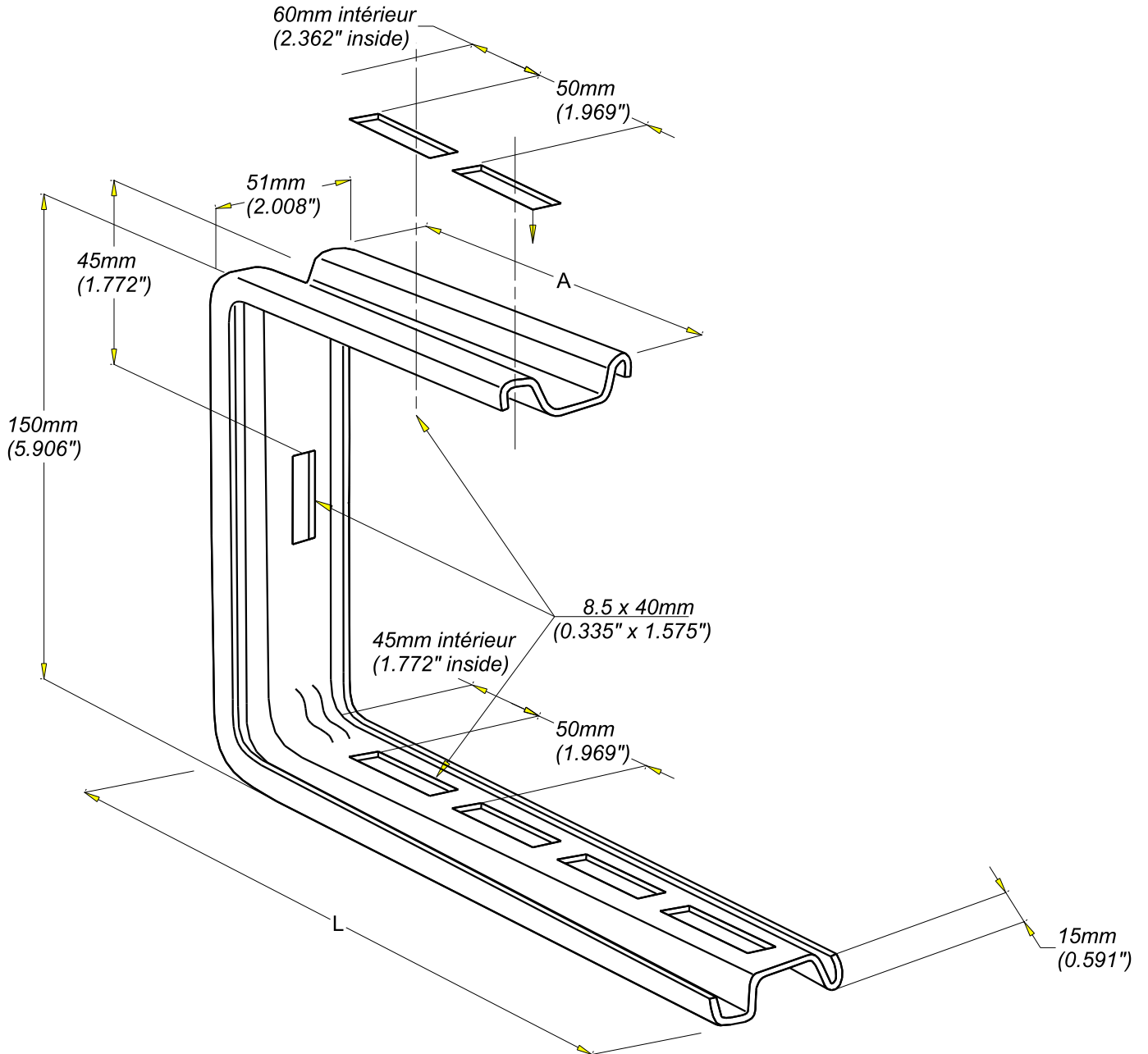
CONSOLE CSCC CSCC BRACKET

GC
HDG

CABLOFIL®
INNOVATORS IN CABLE MANAGEMENT

FT0159-3

03 / 16



REF	CODE	POIDS / WEIGHT		L / L		A / A		Ep. / Th.	
		(Kg)	(lb)	(mm)	(inch)	(mm)	(inch)	(mm)	(inch)
CSCC100	012 763	0.330	0.730	168	9.57	130	5.11	1.5	0.06
CSCC200	012 773	0.608	1.340	260	12.71	180	7.08	2	0.08
CSCC300	012 783	0.900	1.990	360	14.29	230	9.05	2.5	0.1

Matière / Material	Norme / Standard
S 235 JR	EN 10025-2
Protection / Coating	Norme / Standard
HDG	EN ISO 1461

Propriété exclusive de CABLOFIL, ne peut être ni copié, ni transmis à des tiers sans autorisation écrite.
Exclusive property of CABLOFIL, shouldn't be reproduced or transmitted to any people without written authorization.