

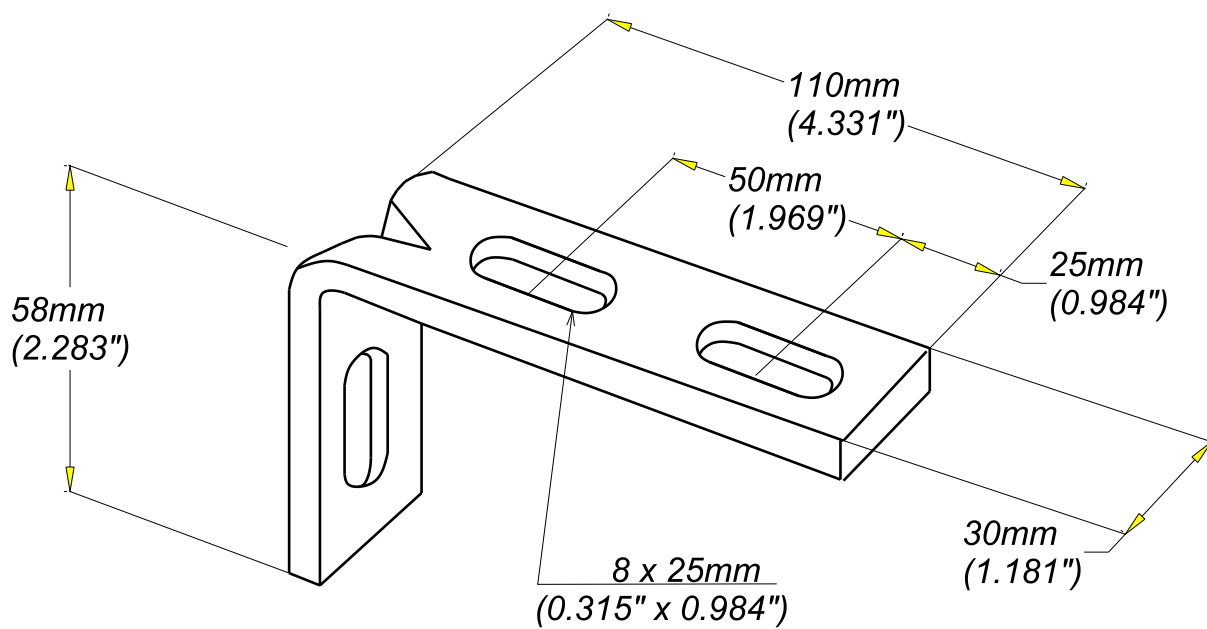
CONSOLE EQUERRE CEQ
CEQ HOLE ANGLE

316 L
316 L

CABLOFIL®
INNOVATORS IN CABLE MANAGEMENT

FT0158-4

03 / 16



REF	CODE	POIDS (Kg)	/ WEIGHT (lb)
CEQ100	557 304	0.081	0.180

EPAISSEUR / THICKNESS 2.5 (0.1")	NORMES / STANDARD
MATIERE / MATERIAL X2 Cr Ni Mo 17-12-2	EN 10088-2
PROTECTION / COATING	