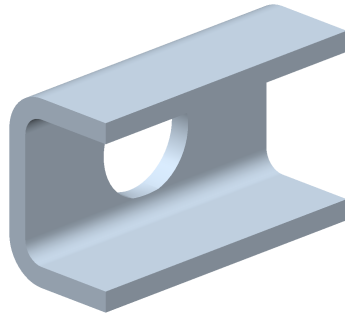
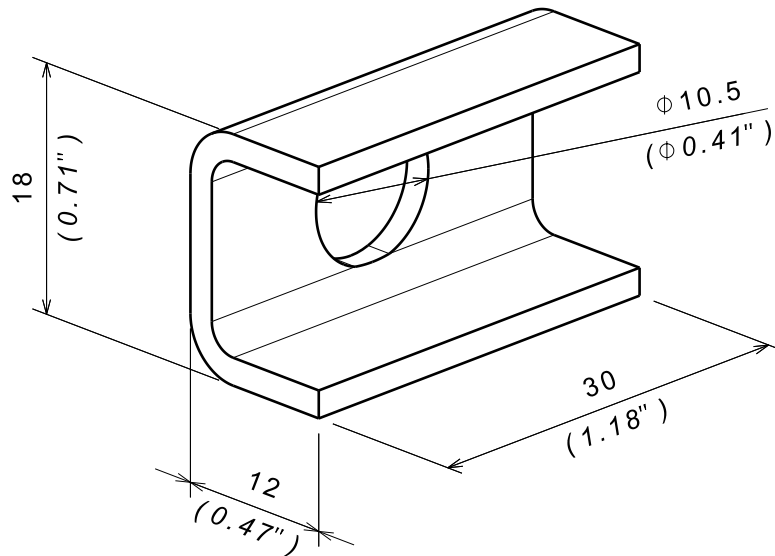


**ENTRETOISE ECLI
ECLI SHIM PLATE**

Reference(s) : 557 190/93/94


1. RANGE

Designation	Code	Poids* / Weight* (Kg) (lb)		Epaisseur / Thickness (mm) (inch)		Matière / Material	Norme / Standard	Finition / Coating	Classe de résistance contre la corrosion / Resistance class against corrosion
ECLI GS	557 190	0.154	0.339	2.0	0.08"	DX 51 D Z275 MAC	EN 10346	GS / PG	class 3 / CEI 61537
ECLI ZnMg	557 193	0.154	0.339	2.0	0.08"	DX 51 D ZM	EN 10346	ZnMg	class 8 / CEI 61537
ECLI SS316L	557 194	0.158	0.347	2.0	0.08"	X2 Cr Ni Mo 17-12-2	EN 10088-2	IN316L / SS316L	class 9D / CEI 61537

2. DIMENSIONS (mm/inch)

3. INSTALLATION
