

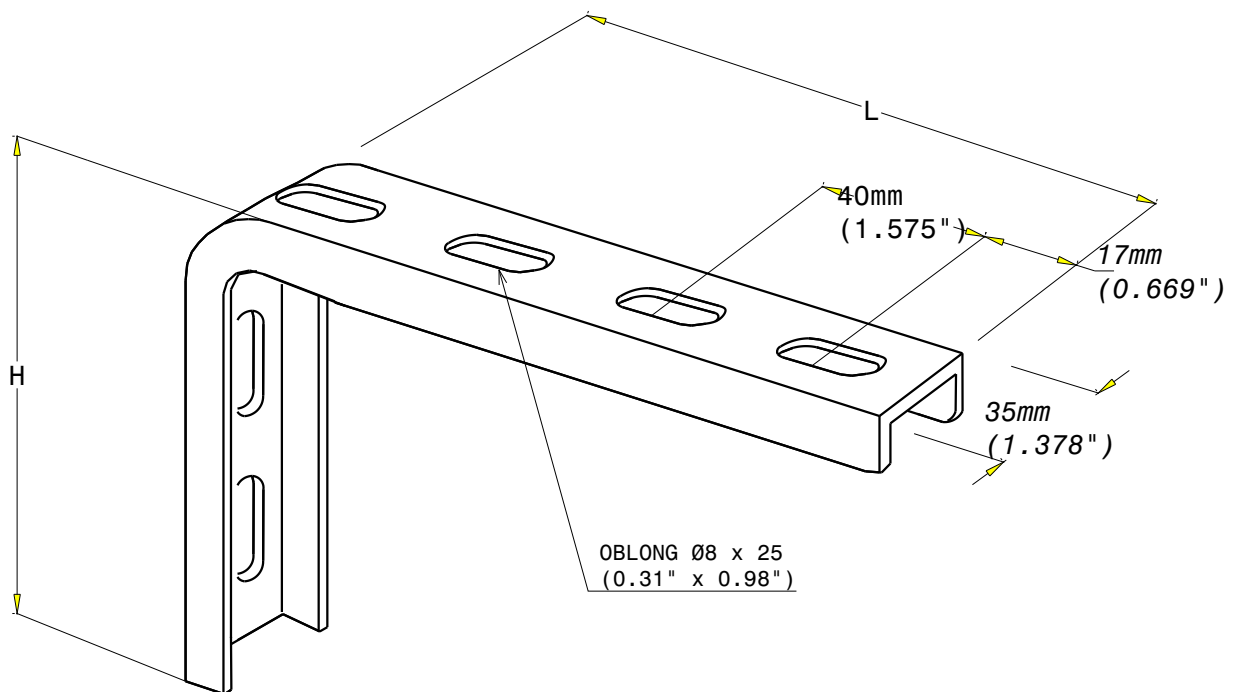
CONSOLE CL
CL BRACKET

GS
PG

CABLOFIL[®]
INNOVATORS IN CABLE MANAGEMENT

FT0155-0

09/17



Designation	Code	Poids / Weight (Kg) / (lb)		Epaisseur / Thickness (mm) / (inch)		L (mm) / (inch)		H (mm) / (inch)		Matière / Material	Norme / Standard	Finition / Coating	Classe de résistance contre la corrosion/ Resistance class against corrosion
CL 150	522 140	0.160	0.353	1.8	0.07	167	6.57	83	3.27	DX51D Z275 MAC	EN 10 346	GS / PG	Class 3 / IEC 61537
CL 200	557 280	0.220	0.485			247	9.72	83	3.27				
CL 250	522 142	0.300	0.661			243	9.56	203	7.99				
CL 300	557 290	0.302	0.666			327	12.90	123	4.84				
CL 350	522 144	0.440	0.970			363	14.29	283	11.14				

Propriété exclusive de CABLOFIL, ne peut être ni copié, ni transmis à des tiers sans autorisation écrite.

Exclusive property of CABLOFIL shouldn't be reproduced or transmitted to any people without written authorization