

TELEX RAILS TX
TELEX RAIL TX

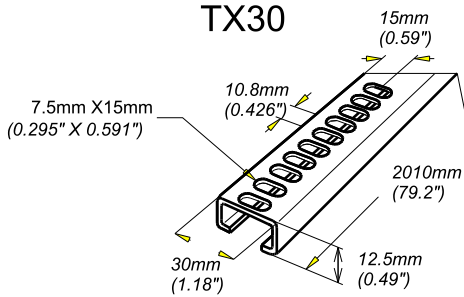
GC
HDG

CABLOFIL®
INNOVATORS IN CABLE MANAGEMENT

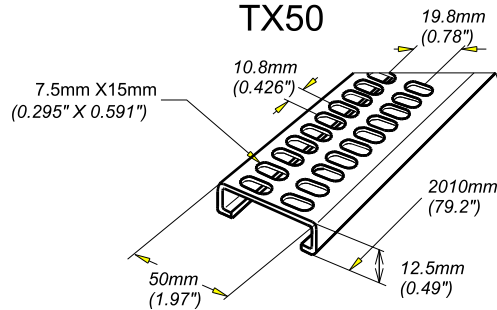
FT0139-3

03 / 16

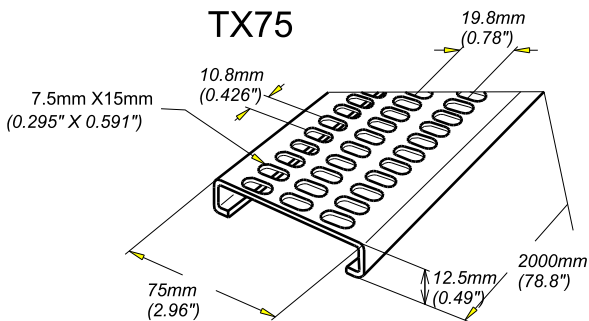
TX30



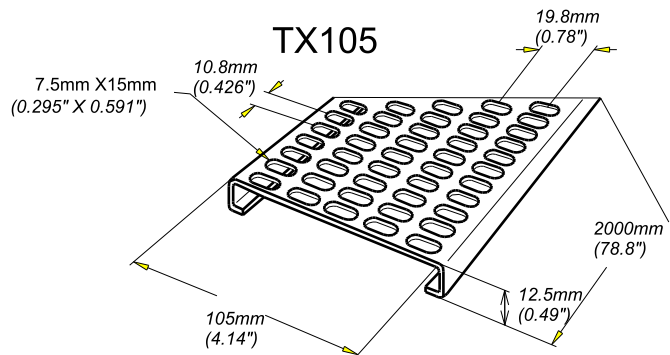
TX50



TX75



TX105



REF	CODE	POIDS (Kg/m)	/ WEIGHT (lb/ft)
TX 30	524 260	0.470	0.316
TX 50	524 261	0.570	0.383
TX 75	524 262	0.710	0.478
TX 105	524 263	0.870	0.585

EPAISSEUR / THICKNESS 1.0 / 0.04"	NORMES / STANDARD
MATIERE / MATERIAL DC 01 Am	EN 10130
PROTECTION / COATING GC / HDG	EN ISO 1461