

TELEX RAILS TX
TELEX RAIL TX

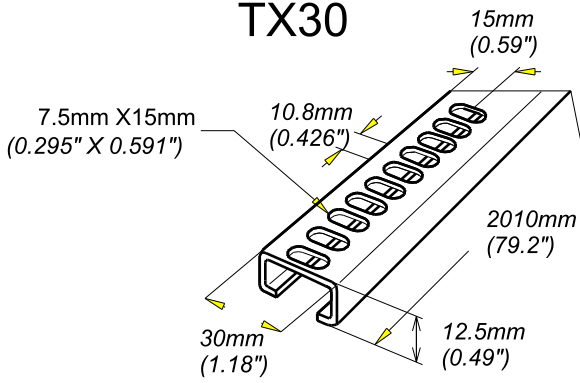
316L
316L

CABLOFIL®
INNOVATORS IN CABLE MANAGEMENT

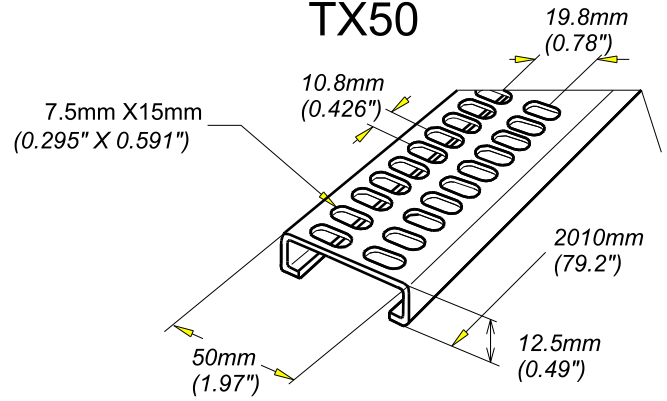
FT0139-4

03 / 16

TX30



TX50



REF	CODE	POIDS (Kg/m)	WEIGHT (lb/ft)
TX 30	830 014	0.400	0.269
TX 50	830 024	0.480	0.323

EPAISSEUR / THICKNESS 1.0 / 0.04"	NORMES / STANDARD
MATIERE / MATERIAL X2 Cr Ni Mo 17-12-2	EN 10088-2
PROTECTION / COATING	