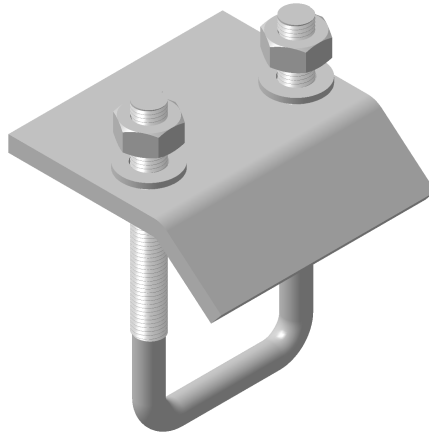
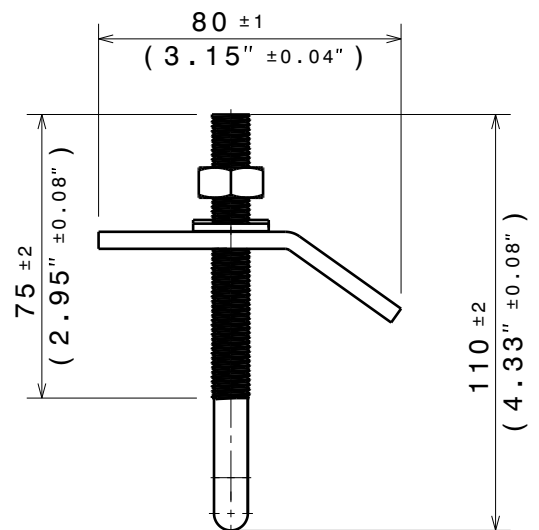
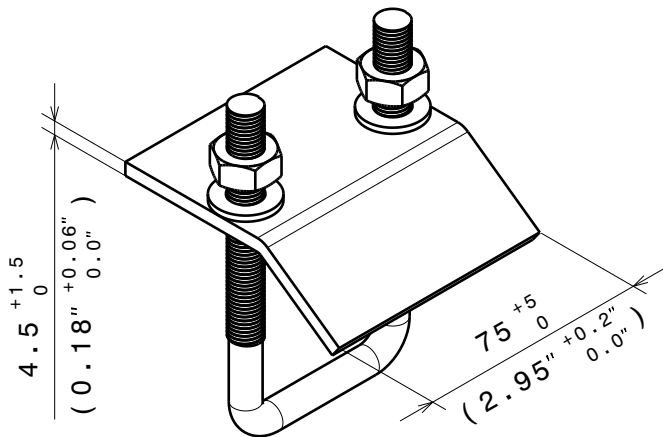
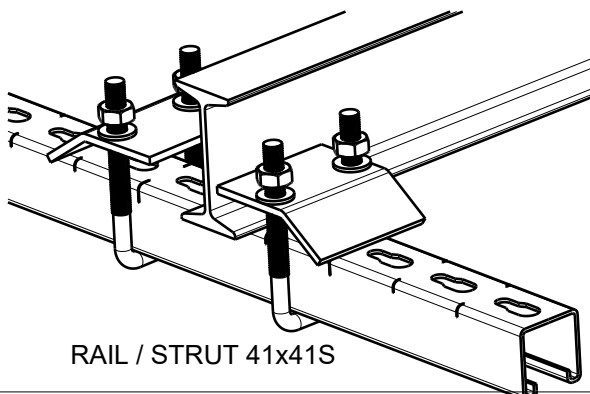


**CRAPAUD CLMP1 A ETRIER
CLAMP CLMP1 WITH U BOLT**

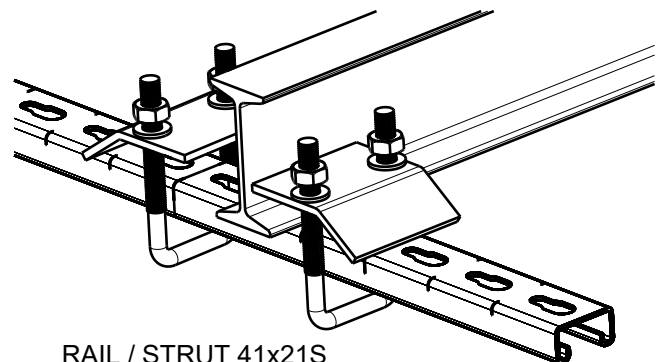
Reference(s) : 559 023 - 559 024


1. GAMME / RANGE

Designation	Code	Poids / Weight (Kg) (lb)		Composant / Component	Matière / Material	Classe / Class	Norme / Standard	Finition / Coating	Classe de résistance contre la corrosion / Resistance class against corrosion
CLMP1 GC	559 023	0.436	0.961	PLATE CG	S235JR	-	EN 10025-2	GC / HDG	Class 6 / IEC 61537
				STIRRUP ZnL ou/or HDG	-	8	ISO 898-1		
				NUT ZnL ou/or HDG	-	8	ISO 898-2		
CLMP1 316L	559 024	0.406	0.895	PLATE 316L	X2 Cr Ni Mo 17-12-2	-	EN 10088-2	IN316L / SS316L	Class 9D / IEC 61537
				STIRRUP 316L	-	A4-70	ISO 3506-1		
				NUT 316L	-	Grade A	ISO 3506-2		

2. DIMENSIONS (mm/inch)

3. INSTALLATION / MOUNTING


RAIL / STRUT 41x41S



RAIL / STRUT 41x21S