

**CONSOLE CSNC 100 à 450**  
**CSNC BRACKET 100 to 450**

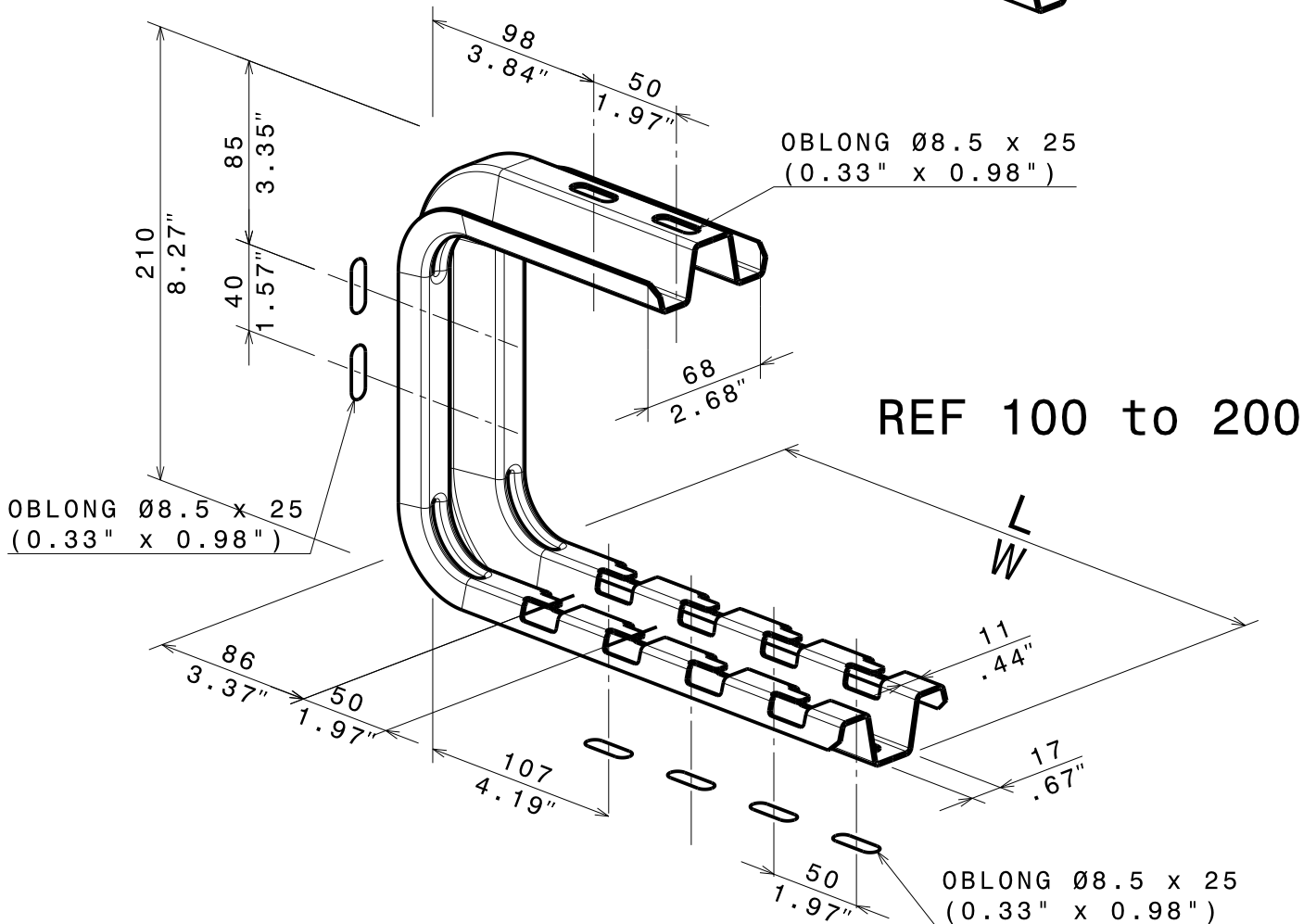
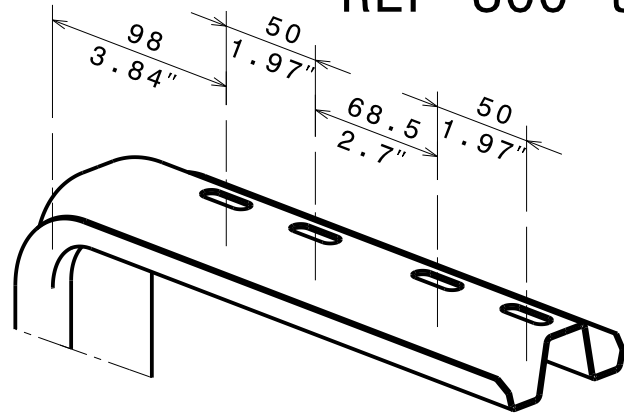
**GC**  
**HDG**

**CABLOFIL®**  
 INNOVATORS IN CABLE MANAGEMENT

**FT0100-4 01/15**

**REF 300 to 450**

REF	Oblong Nbr	WIRE MESH TRAY L / W
CSNC-100	2	100
CSNC-150	3	150
CSNC-200	4	200
CSNC-300	6	300
CSNC-400	8	400
CSNC-450	9	450



REF	CODE	POIDS (Kg)	WEIGHT (lb)	L (mm)	W (inch)	Epais. (mm)	Th. (inch)
CSNC-100	556 303	0.730	1.610	178.5	7.03	1.5	0.06
CSNC-150	556 313	0.800	1.770	228.5	9.00	1.5	0.06
CSNC-200	556 323	0.870	1.920	278.5	10.96	1.5	0.06
CSNC-300	556 333	1.186	2.620	378.5	14.90	1.75	0.07
CSNC-400	556 343	1.328	2.930	478.5	18.84	1.75	0.07
CSNC-450	556 353	1.467	3.240	528.5	20.81	1.75	0.07

MATIERE / MATERIAL S 235 JR FN KPN	EN 10025-2
PROTECTION / COATING Galva à chaud / HDG	NF EN ISO 1461

Propriété exclusive de CABLOFIL, ne peut être ni copié, ni transmis à des tiers sans autorisation écrite.  
 Exclusive property of CABLOFIL shouldn't be reproduced or transmitted to any people without written authorization