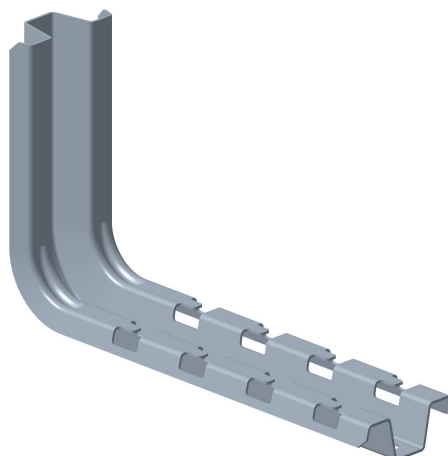


**CONSOLE CSN  
 CSN BRACKET**

Reference(s) : 556 100/110/120/130/140/150  
 556 103/113/123/133/143/153  
 556 108/118/128/138  
 556 104/114/124/134/144/154



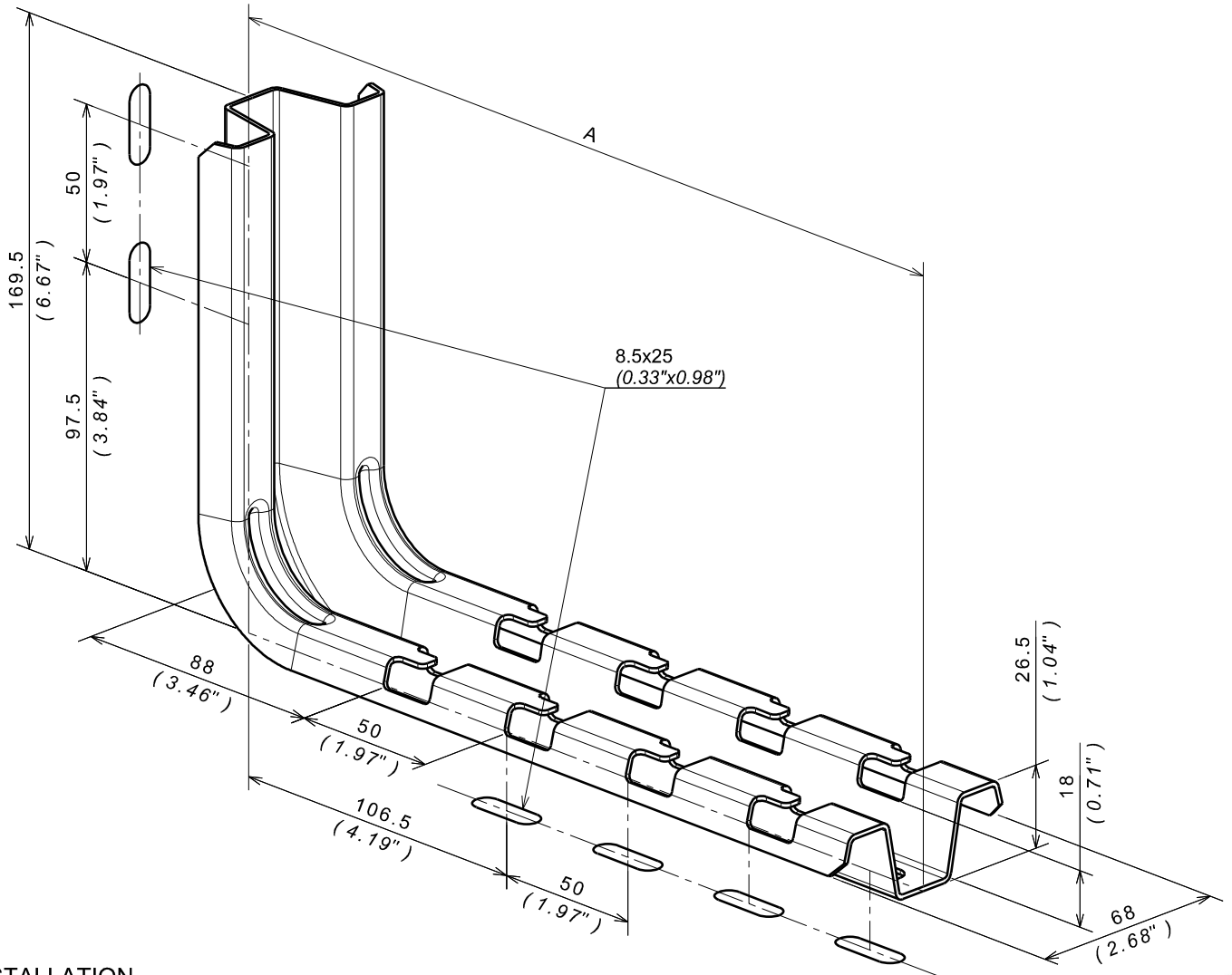
**1. GAMME / RANGE**

Designation	Code	Ep. / Th.		Poids / Weight		A		Matière / Material	Norme / Standard	Finition / Coating	Classe de résistance contre la corrosion / Class for resistance against corrosion
		(mm)	(Inch)	(Kg)	(lb)	(mm)	(Inch)				
CSN 100 GS	556 100	1.50	0.06	0.409	0.902	178.5	7.03	DX53 D Z275 MAC	EN 10346	GS / PG	Classe 3 - CEI 61537 / Class 3 - IEC 61537
CSN 150 GS	556 110	1.50	0.06	0.467	1.030	228.5	9.00	DX53 D Z275 MAC	EN 10346	GS / PG	Classe 3 - CEI 61537 / Class 3 - IEC 61537
CSN 200 GS	556 120	1.50	0.06	0.526	1.160	278.5	10.96	DX53 D Z275 MAC	EN 10346	GS / PG	Classe 3 - CEI 61537 / Class 3 - IEC 61537
CSN 300 GS	556 130	1.75	0.07	0.747	1.647	378.5	14.90	DX53 D Z275 MAC	EN 10346	GS / PG	Classe 3 - CEI 61537 / Class 3 - IEC 61537
CSN 400 GS	556 140	1.75	0.07	0.883	1.947	478.5	18.84	DX53 D Z275 MAC	EN 10346	GS / PG	Classe 3 - CEI 61537 / Class 3 - IEC 61537
CSN 450 GS	556 150	1.75	0.07	0.951	2.097	528.5	20.81	DX53 D Z275 MAC	EN 10346	GS / PG	Classe 3 - CEI 61537 / Class 3 - IEC 61537
CSN 100 GC	556 103	1.50	0.06	0.438	0.965	178.5	7.03	S235 JR	EN 10025	GC / HDG	Classe 6 - CEI 61537 / Class 6 - IEC 61537
CSN 150 GC	556 113	1.50	0.06	0.500	1.102	228.5	9.00	S235 JR	EN 10025	GC / HDG	Classe 6 - CEI 61537 / Class 6 - IEC 61537
CSN 200 GC	556 123	1.50	0.06	0.563	1.241	278.5	10.96	S235 JR	EN 10025	GC / HDG	Classe 6 - CEI 61537 / Class 6 - IEC 61537
CSN 300 GC	556 133	1.75	0.07	0.799	1.762	378.5	14.90	S235 JR	EN 10025	GC / HDG	Classe 6 - CEI 61537 / Class 6 - IEC 61537
CSN 400 GC	556 143	1.75	0.07	0.945	2.083	478.5	18.84	S235 JR	EN 10025	GC / HDG	Classe 6 - CEI 61537 / Class 6 - IEC 61537
CSN 450 GC	556 153	1.75	0.07	1.018	2.243	528.5	20.81	S235 JR	EN 10025	GC / HDG	Classe 6 - CEI 61537 / Class 6 - IEC 61537
CSN 100 304L	556 108	1.50	0.06	0.419	0.923	178.5	7.03	X2 Cr Ni 18-9	EN 10 088-2	IN304L / SS304L	-
CSN 150 304L	556 118	1.50	0.06	0.478	1.054	228.5	9.00	X2 Cr Ni 18-9	EN 10 088-2	IN304L / SS304L	-
CSN 200 304L	556 128	1.50	0.06	0.539	1.187	278.5	10.96	X2 Cr Ni 18-9	EN 10 088-2	IN304L / SS304L	-
CSN 300 304L	556 138	1.50	0.06	0.659	1.321	378.5	14.90	X2 Cr Ni 18-9	EN 10 088-2	IN304L / SS304L	-
CSN 100 316L	556 104	1.50	0.06	0.419	0.923	178.5	7.03	X2 Cr Ni Mo 17-12-2	EN 10 088-2	IN316L / SS316L	-
CSN 150 316L	556 114	1.50	0.06	0.478	1.054	228.5	9.00	X2 Cr Ni Mo 17-12-2	EN 10 088-2	IN316L / SS316L	-
CSN 200 316L	556 124	1.50	0.06	0.539	1.187	278.5	10.96	X2 Cr Ni Mo 17-12-2	EN 10 088-2	IN316L / SS316L	-
CSN 300 316L	556 134	1.50	0.06	0.659	1.321	378.5	14.90	X2 Cr Ni Mo 17-12-2	EN 10 088-2	IN316L / SS316L	-
CSN 400 316L	556 144	1.50	0.06	0.779	1.718	478.5	18.84	X2 Cr Ni Mo 17-12-2	EN 10 088-2	IN316L / SS316L	-
CSN 450 316L	556 154	1.50	0.06	0.840	1.851	528.5	20.81	X2 Cr Ni Mo 17-12-2	EN 10 088-2	IN316L / SS316L	-

**CONSOLE CSN  
 CSN BRACKET**

Reference(s) : 556 100/110/120/130/140/150  
 556 103/113/123/133/143/153  
 556 108/118/128/138  
 556 104/114/124/134/144/154

**2. DIMENSIONS (mm/inch)**



**3. INSTALLATION**

