

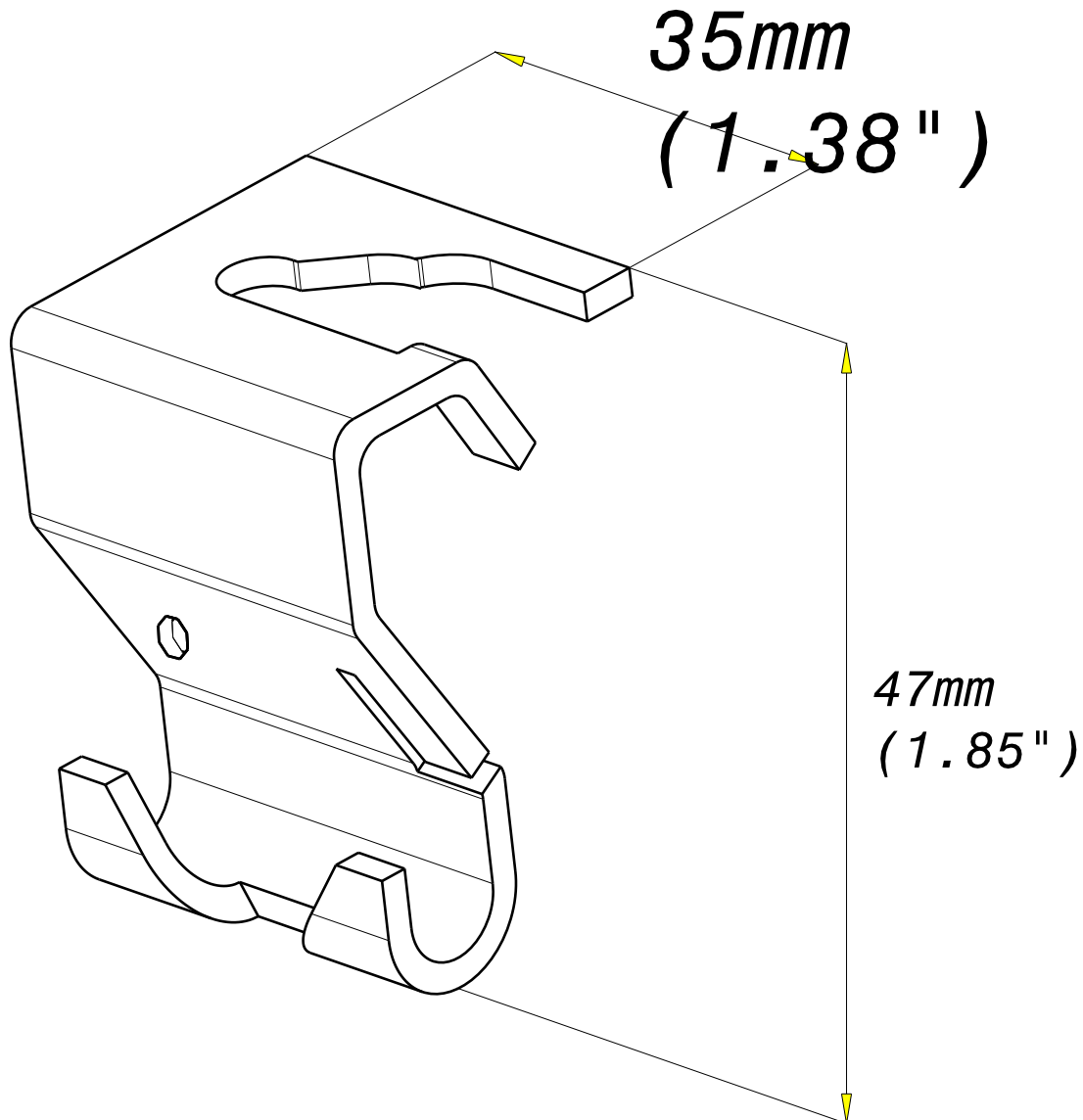
ATTACHE DE SUSPENSION AS
AS SUSPENSION ATTACHEMENT

GS
PREGALV.

 **CABLE
MANAGEMENT**

FT0085-0

04-16



REF	CODE	POIDS (kg)	WEIGHT (lb)
AS	586 020	0.045	0.100

EPAISSEUR / THICKNESS 2 (0.08")	NORMES / STANDARD
MATIERE / MATERIAL DX 51 D Z275 MAC	EN 10327
PROTECTION / COATING GS / PREGALV.	EN 10327

Propriété exclusive de LEGRAND, ne peut être ni copié, ni transmis à des tiers sans autorisation écrite.
Exclusive property of LEGRAND shouldn't be reproduced or transmitted to any people without written authorization