

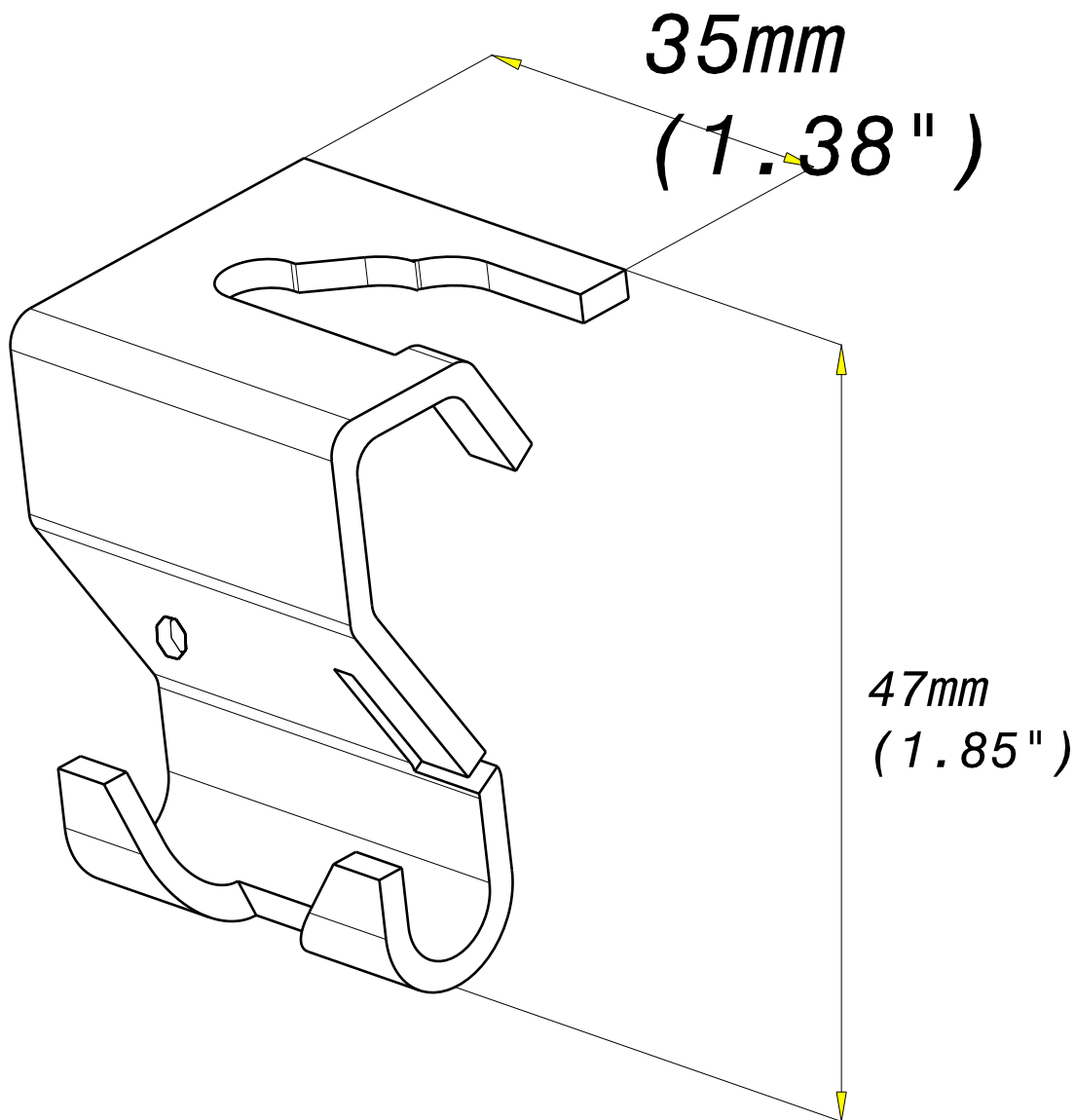
ATTACHE DE SUSPENSION AS  
AS SUSPENSION ATTACHEMENT

DC

**legrand**® CABLE  
MANAGEMENT

FT0085-3

04-16



REF	CODE	POIDS (kg)	WEIGHT (lb)
AS	586 023	0.046	0.102

EPAISSEUR / THICKNESS 2 (0.08")	NORMES / STANDARD
MATIERE / MATERIAL S 235 JR FN KPN	EN 10025-2
PROTECTION / COATING Zinc Lamellaire / Zinc Flake	Class b according to CEI 61537

Propriété exclusive de LEGRAND, ne peut être ni copié, ni transmis à des tiers sans autorisation écrite.  
Exclusive property of LEGRAND shouldn't be reproduced or transmitted to any people without written authorization