

AS SUSPENSION ATTACHEMENT

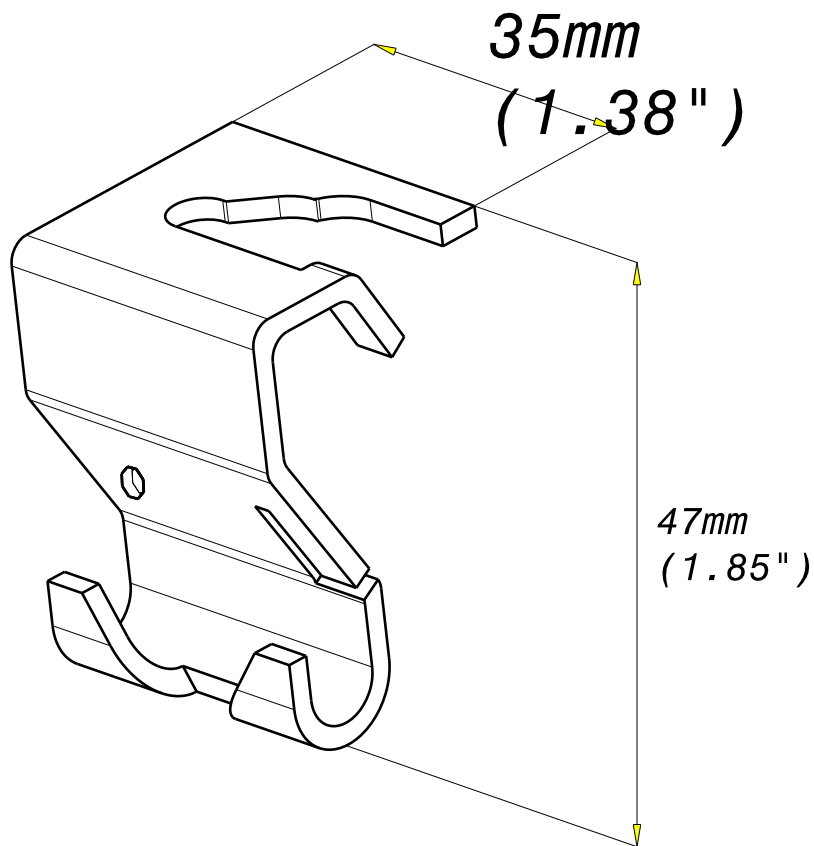
INOX 316L

CABLOFIL®

INNOVATORS IN CABLE MANAGEMENT

FT0085 - 4

07 09



EPAISSEUR / THICKNESS 2 (0.08")	NORMES / STANDARD
MATIERE / MATERIAL X2 Cr Ni Mo 17-12-2	EN 10088-2
PROTECTION / COATING INOX 316 L	

REF	CODE	POIDS (Kg)	WEIGHT (lb)
AS	586 024	0.045	0.100

Propriété exclusive de CABLOFIL, ne peut être ni copié, ni transmis à des tiers sans autorisation écrite.

Exclusive property of CABLOFIL shouldn't be reproduced or transmitted to any people without written authorization