

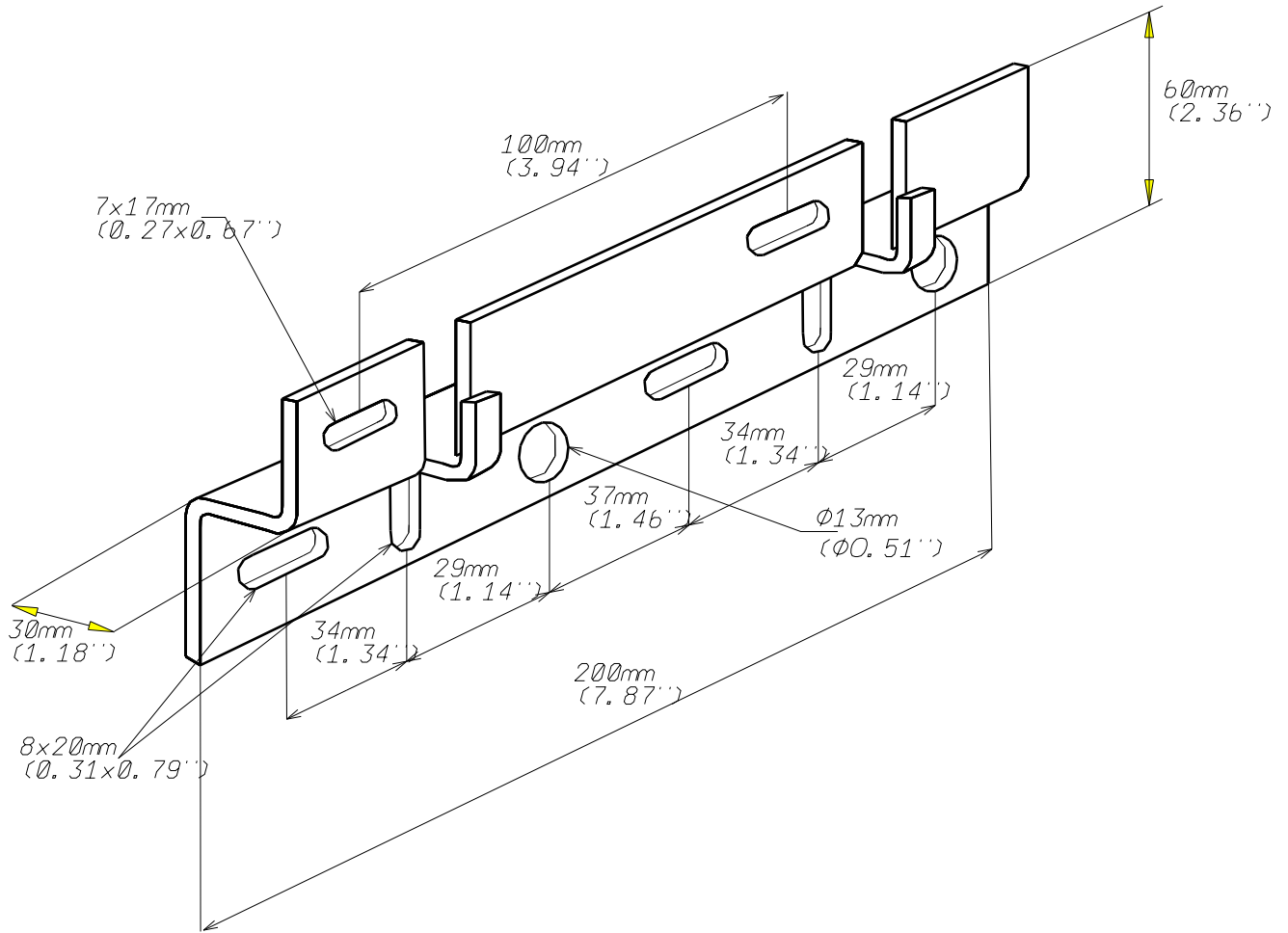
FIXATION FV1  
VERTICALLY MOUNTED ATTACHMENT

GS  
PREGALV.

**CABLOFIL®**

INNOVATORS IN CABLE MANAGEMENT

FT0083-0 07 12



|  |                   |
|--|-------------------|
| ÉPAISSEUR / THICKNESS<br>2.5 (0.1'')   | NORMES / STANDARD |
| MATIÈRE / MATERIAL<br>DX 51 D Z275 MAC | EN 10346          |
| PROTECTION / COATING<br>GS / PREGALV.  |                   |

| REF  | CODE    | POIDS (kg) | WEIGHT (lb) |
|------|---------|------------|-------------|
| FV 1 | 586 070 | 0.300      | 0.662       |

Propriété exclusive de CABLOFIL, ne peut être ni copié, ni transmis à des tiers sans autorisation écrite.

Exclusive property of CABLOFIL shouldn't be reproduced or transmitted to any people

without written authorization