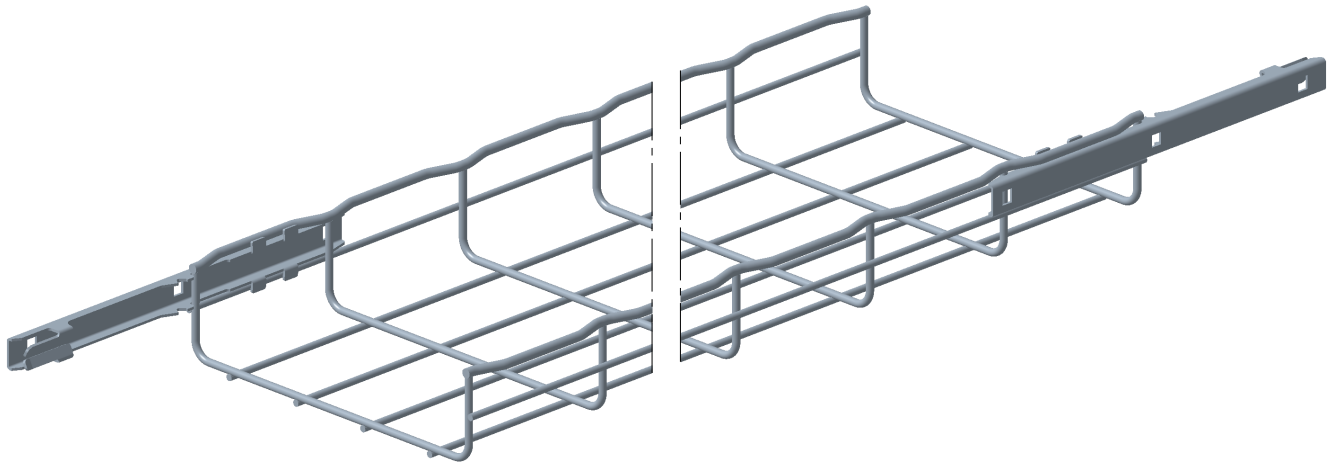


PCF 54

Reference(s) : 080 060/070/080/090/100/200/300/400  
 080 061/071/081/091/101/201/301/401  
 080 063/073/083/093/103/203/303/403  
 080 064/074/084/094/104/204/304/404  
 080 068/078/088/098/108/208/308/408



1. GAMME / RANGE

Designation	Code	Poids / Weight (Kg) (lb)		Pièce / Part	Matière / Material	Norme / Standard	Finition / Coating	Classe de résistance contre la corrosion / Resistance class against corrosion
PCF54/50 PG	080 060	2.014	4.440	CF54/50	C9D classe D / class D	EN 10244-2	PG	Classe 2 - CEI 61537 / Class 2 - IEC 61537
				AUTOCLIC	DX51D Z275 MAC	EN 10346	GS / PG	Classe 3 - CEI 61537 / Class 3 - IEC 61537
PCF54/100 PG	080 070	2.440	5.379	CF54/100	C9D classe D / class D	EN 10244-2	PG	Classe 2 - CEI 61537 / Class 2 - IEC 61537
				AUTOCLIC	DX51D Z275 MAC	EN 10346	GS / PG	Classe 3 - CEI 61537 / Class 3 - IEC 61537
PCF54/150 PG	080 080	3.216	7.091	CF54/150	C9D classe D / class D	EN 10244-2	PG	Classe 2 - CEI 61537 / Class 2 - IEC 61537
				AUTOCLIC	DX51D Z275 MAC	EN 10346	GS / PG	Classe 3 - CEI 61537 / Class 3 - IEC 61537
PCF54/200 PG	080 090	4.088	9.012	CF54/200	C9D classe D / class D	EN 10244-2	PG	Classe 2 - CEI 61537 / Class 2 - IEC 61537
				AUTOCLIC	DX51D Z275 MAC	EN 10346	GS / PG	Classe 3 - CEI 61537 / Class 3 - IEC 61537
PCF54/300 PG	080 100	6.141	13.539	CF54/300	C9D classe D / class D	EN 10244-2	PG	Classe 2 - CEI 61537 / Class 2 - IEC 61537
				AUTOCLIC	DX51D Z275 MAC	EN 10346	GS / PG	Classe 3 - CEI 61537 / Class 3 - IEC 61537
PCF54/400 PG	080 200	8.488	18.714	CF54/400 EA	C9D classe D / class D	EN 10244-2	PG	Classe 2 - CEI 61537 / Class 2 - IEC 61537
				AUTOCLIC	DX51D Z275 MAC	EN 10346	GS / PG	Classe 3 - CEI 61537 / Class 3 - IEC 61537
PCF54/500 PG	080 300	9.716	21.421	CF54/500 EA	C9D classe D / class D	EN 10244-2	PG	Classe 2 - CEI 61537 / Class 2 - IEC 61537
				AUTOCLIC	DX51D Z275 MAC	EN 10346	GS / PG	Classe 3 - CEI 61537 / Class 3 - IEC 61537
PCF54/600 PG	080 400	10.383	22.890	CF54/600 EA	C9D classe D / class D	EN 10244-2	PG	Classe 2 - CEI 61537 / Class 2 - IEC 61537
				AUTOCLIC	DX51D Z275 MAC	EN 10346	GS / PG	Classe 3 - CEI 61537 / Class 3 - IEC 61537
PCF54/50 EZ	080 061	2.074	4.573	CF54/50	C9D	EN ISO 16120-2	Fe/Zn12/A	Classe 3 - CEI 61537 / Class 3 - IEC 61537
				AUTOCLIC	DX51D Z275 MAC	EN 10346	GS / PG	Classe 3 - CEI 61537 / Class 3 - IEC 61537
PCF54/100 EZ	080 071	2.513	5.541	CF54/100	C9D	EN ISO 16120-2	Fe/Zn12/A	Classe 3 - CEI 61537 / Class 3 - IEC 61537
				AUTOCLIC	DX51D Z275 MAC	EN 10346	GS / PG	Classe 3 - CEI 61537 / Class 3 - IEC 61537
PCF54/150 EZ	080 081	3.313	7.304	CF54/150	C9D	EN ISO 16120-2	Fe/Zn12/A	Classe 3 - CEI 61537 / Class 3 - IEC 61537
				AUTOCLIC	DX51D Z275 MAC	EN 10346	GS / PG	Classe 3 - CEI 61537 / Class 3 - IEC 61537
PCF54/200 EZ	080 091	4.211	9.283	CF54/200	C9D	EN ISO 16120-2	Fe/Zn12/A	Classe 3 - CEI 61537 / Class 3 - IEC 61537
				AUTOCLIC	DX51D Z275 MAC	EN 10346	GS / PG	Classe 3 - CEI 61537 / Class 3 - IEC 61537
PCF54/300 EZ	080 101	6.320	13.933	CF54/300	C9D	EN ISO 16120-2	Fe/Zn12/A	Classe 3 - CEI 61537 / Class 3 - IEC 61537
				AUTOCLIC	DX51D Z275 MAC	EN 10346	GS / PG	Classe 3 - CEI 61537 / Class 3 - IEC 61537
PCF54/400 EZ	080 201	9.316	20.539	CF54/400	C9D	EN ISO 16120-2	Fe/Zn12/A	Classe 3 - CEI 61537 / Class 3 - IEC 61537
				AUTOCLIC	DX51D Z275 MAC	EN 10346	GS / PG	Classe 3 - CEI 61537 / Class 3 - IEC 61537
PCF54/500 EZ	080 301	10.581	23.327	CF54/500	C9D	EN ISO 16120-2	Fe/Zn12/A	Classe 3 - CEI 61537 / Class 3 - IEC 61537
				AUTOCLIC	DX51D Z275 MAC	EN 10346	GS / PG	Classe 3 - CEI 61537 / Class 3 - IEC 61537
PCF54/600 EZ	080 401	11.846	26.115	CF54/600	C9D	EN ISO 16120-2	Fe/Zn12/A	Classe 3 - CEI 61537 / Class 3 - IEC 61537
				AUTOCLIC	DX51D Z275 MAC	EN 10346	GS / PG	Classe 3 - CEI 61537 / Class 3 - IEC 61537
PCF54/50 GC	080 063	2.155	4.750	CF54/50	C9D	EN ISO 16120-2	GC / HDG	Classe 6 - CEI 61537 / Class 6 - IEC 61537
				AUTOCLIC	S235 JR	EN 10025	GC / HDG	Classe 6 - CEI 61537 / Class 6 - IEC 61537
PCF54/100 GC	080 073	2.611	5.756	CF54/100	C9D	EN ISO 16120-2	GC / HDG	Classe 6 - CEI 61537 / Class 6 - IEC 61537
				AUTOCLIC	S235 JR	EN 10025	GC / HDG	Classe 6 - CEI 61537 / Class 6 - IEC 61537
PCF54/150 GC	080 083	3.442	7.587	CF54/150	C9D	EN ISO 16120-2	GC / HDG	Classe 6 - CEI 61537 / Class 6 - IEC 61537
				AUTOCLIC	S235 JR	EN 10025	GC / HDG	Classe 6 - CEI 61537 / Class 6 - IEC 61537
PCF54/200 GC	080 093	4.374	9.643	CF54/200	C9D	EN ISO 16120-2	GC / HDG	Classe 6 - CEI 61537 / Class 6 - IEC 61537
				AUTOCLIC	S235 JR	EN 10025	GC / HDG	Classe 6 - CEI 61537 / Class 6 - IEC 61537
PCF54/300 GC	080 103	6.565	14.474	CF54/300	C9D	EN ISO 16120-2	GC / HDG	Classe 6 - CEI 61537 / Class 6 - IEC 61537
				AUTOCLIC	S235 JR	EN 10025	GC / HDG	Classe 6 - CEI 61537 / Class 6 - IEC 61537
PCF54/400 GC	080 203	9.678	21.336	CF54/400	C9D	EN ISO 16120-2	GC / HDG	Classe 6 - CEI 61537 / Class 6 - IEC 61537
				AUTOCLIC	S235 JR	EN 10025	GC / HDG	Classe 6 - CEI 61537 / Class 6 - IEC 61537
PCF54/500 GC	080 303	10.992	24.233	CF54/500	C9D	EN ISO 16120-2	GC / HDG	Classe 6 - CEI 61537 / Class 6 - IEC 61537
				AUTOCLIC	S235 JR	EN 10025	GC / HDG	Classe 6 - CEI 61537 / Class 6 - IEC 61537
PCF54/600 GC	080 403	12.306	27.130	CF54/600	C9D	EN ISO 16120-2	GC / HDG	Classe 6 - CEI 61537 / Class 6 - IEC 61537
				AUTOCLIC	S235 JR	EN 10025	GC / HDG	Classe 6 - CEI 61537 / Class 6 - IEC 61537

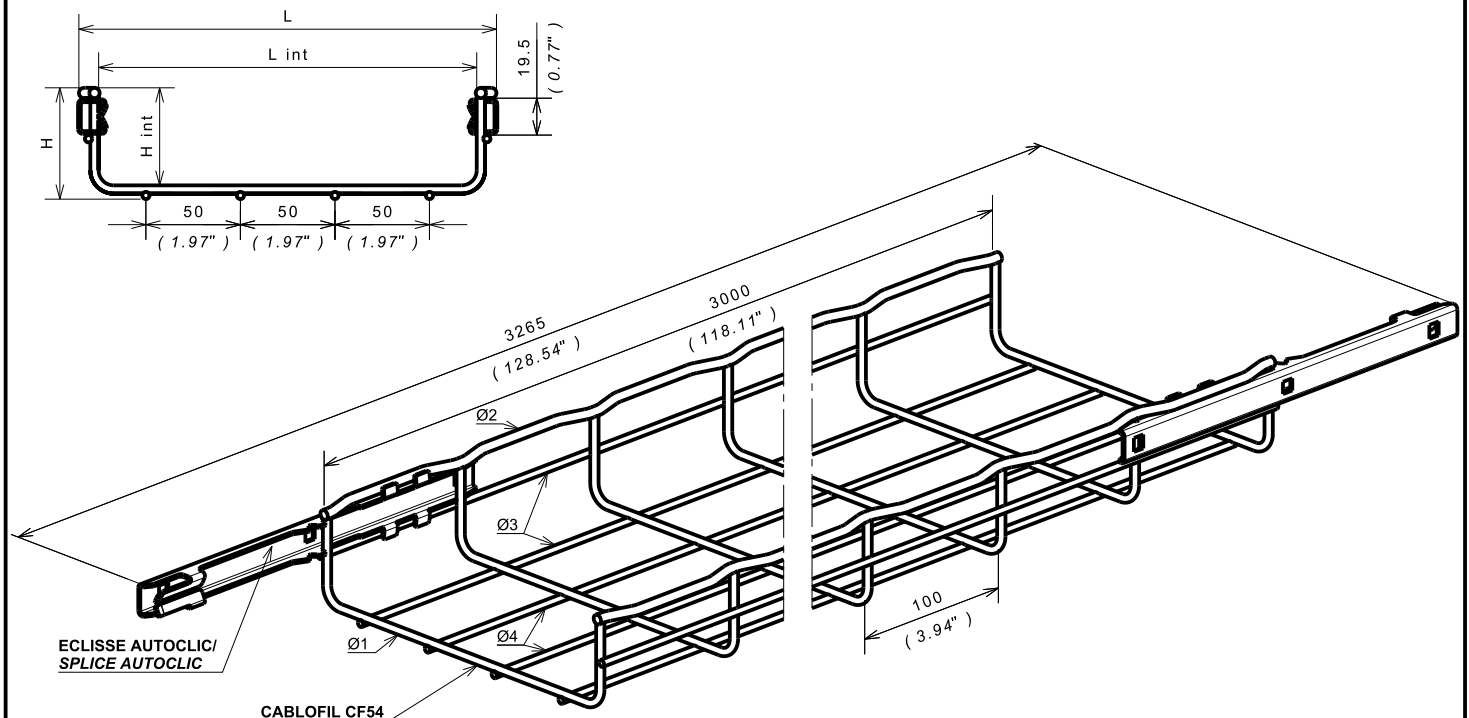
**PCF 54**

Reference(s) : 080 060/070/080/090/100/200/300/400  
 080 061/071/081/091/101/201/301/401  
 080 063/073/083/093/103/203/303/403  
 080 064/074/084/094/104/204/304/404  
 080 068/078/088/098/108/208/308/408

**1. GAMME / RANGE**

Designation	Code	Poids / Weight (Kg) / (lb)		Pièce / Part		Norme / Standard	Finition / Coating	Classe de résistance contre la corrosion / Resistance class against corrosion
PCF54/50 304L	080 068	2.063	4.549	CF54/50	X2 Cr Ni 18-9	EN 10088-3	IN304L / SS304L	Classe 9C - CEI 61537 / Class 9C - IEC 61537
				AUTOCLIC	X2 Cr Ni 18-9	EN 10088-2	IN304L / SS304L	Classe 9C - CEI 61537 / Class 9C - IEC 61537
PCF54/100 304L	080 078	2.500	5.512	CF54/100	X2 Cr Ni 18-9	EN 10088-3	IN304L / SS304L	Classe 9C - CEI 61537 / Class 9C - IEC 61537
				AUTOCLIC	X2 Cr Ni 18-9	EN 10088-2	IN304L / SS304L	Classe 9C - CEI 61537 / Class 9C - IEC 61537
PCF54/150 304L	080 088	2.937	6.476	CF54/150	X2 Cr Ni 18-9	EN 10088-3	IN304L / SS304L	Classe 9C - CEI 61537 / Class 9C - IEC 61537
				AUTOCLIC	X2 Cr Ni 18-9	EN 10088-2	IN304L / SS304L	Classe 9C - CEI 61537 / Class 9C - IEC 61537
PCF54/200 304L	080 098	3.771	8.313	CF54/200	X2 Cr Ni 18-9	EN 10088-3	IN304L / SS304L	Classe 9C - CEI 61537 / Class 9C - IEC 61537
				AUTOCLIC	X2 Cr Ni 18-9	EN 10088-2	IN304L / SS304L	Classe 9C - CEI 61537 / Class 9C - IEC 61537
PCF54/300 304L	080 108	5.455	12.027	CF54/300	X2 Cr Ni 18-9	EN 10088-3	IN304L / SS304L	Classe 9C - CEI 61537 / Class 9C - IEC 61537
				AUTOCLIC	X2 Cr Ni 18-9	EN 10088-2	IN304L / SS304L	Classe 9C - CEI 61537 / Class 9C - IEC 61537
PCF54/400 304L	080 208	7.280	16.049	CF54/400	X2 Cr Ni 18-9	EN 10088-3	IN304L / SS304L	Classe 9C - CEI 61537 / Class 9C - IEC 61537
				AUTOCLIC	X2 Cr Ni 18-9	EN 10088-2	IN304L / SS304L	Classe 9C - CEI 61537 / Class 9C - IEC 61537
PCF54/500 304L	080 308	9.520	20.987	CF54/500	X2 Cr Ni 18-9	EN 10088-3	IN304L / SS304L	Classe 9C - CEI 61537 / Class 9C - IEC 61537
				AUTOCLIC	X2 Cr Ni 18-9	EN 10088-2	IN304L / SS304L	Classe 9C - CEI 61537 / Class 9C - IEC 61537
PCF54/600 304L	080 408	10.695	23.577	CF54/600	X2 Cr Ni 18-9	EN 10088-3	IN304L / SS304L	Classe 9C - CEI 61537 / Class 9C - IEC 61537
				AUTOCLIC	X2 Cr Ni 18-9	EN 10088-2	IN304L / SS304L	Classe 9C - CEI 61537 / Class 9C - IEC 61537
PCF54/50 316L	080 064	2.063	4.549	CF54/50	X2 Cr Ni Mo 17-12-2	EN 10088-3	IN316L / SS316L	Classe 9D - CEI 61537 / Class 9D - IEC 61537
				AUTOCLIC	X2 Cr Ni Mo 17-12-2	EN 10088-2	IN316L / SS316L	Classe 9D - CEI 61537 / Class 9D - IEC 61537
PCF54/100 316L	080 074	2.500	5.512	CF54/100	X2 Cr Ni Mo 17-12-2	EN 10088-3	IN316L / SS316L	Classe 9D - CEI 61537 / Class 9D - IEC 61537
				AUTOCLIC	X2 Cr Ni Mo 17-12-2	EN 10088-2	IN316L / SS316L	Classe 9D - CEI 61537 / Class 9D - IEC 61537
PCF54/150 316L	080 084	2.937	6.476	CF54/150	X2 Cr Ni Mo 17-12-2	EN 10088-3	IN316L / SS316L	Classe 9D - CEI 61537 / Class 9D - IEC 61537
				AUTOCLIC	X2 Cr Ni Mo 17-12-2	EN 10088-2	IN316L / SS316L	Classe 9D - CEI 61537 / Class 9D - IEC 61537
PCF54/200 316L	080 094	3.771	8.313	CF54/200	X2 Cr Ni Mo 17-12-2	EN 10088-3	IN316L / SS316L	Classe 9D - CEI 61537 / Class 9D - IEC 61537
				AUTOCLIC	X2 Cr Ni Mo 17-12-2	EN 10088-2	IN316L / SS316L	Classe 9D - CEI 61537 / Class 9D - IEC 61537
PCF54/300 316L	080 104	5.455	12.027	CF54/300	X2 Cr Ni Mo 17-12-2	EN 10088-3	IN316L / SS316L	Classe 9D - CEI 61537 / Class 9D - IEC 61537
				AUTOCLIC	X2 Cr Ni Mo 17-12-2	EN 10088-2	IN316L / SS316L	Classe 9D - CEI 61537 / Class 9D - IEC 61537
PCF54/400 316L	080 204	7.280	16.049	CF54/400	X2 Cr Ni Mo 17-12-2	EN 10088-3	IN316L / SS316L	Classe 9D - CEI 61537 / Class 9D - IEC 61537
				AUTOCLIC	X2 Cr Ni Mo 17-12-2	EN 10088-2	IN316L / SS316L	Classe 9D - CEI 61537 / Class 9D - IEC 61537
PCF54/500 316L	080 304	9.520	20.987	CF54/500	X2 Cr Ni Mo 17-12-2	EN 10088-3	IN316L / SS316L	Classe 9D - CEI 61537 / Class 9D - IEC 61537
				AUTOCLIC	X2 Cr Ni Mo 17-12-2	EN 10088-2	IN316L / SS316L	Classe 9D - CEI 61537 / Class 9D - IEC 61537
PCF54/600 316L	080 404	10.695	23.577	CF54/600	X2 Cr Ni Mo 17-12-2	EN 10088-3	IN316L / SS316L	Classe 9D - CEI 61537 / Class 9D - IEC 61537
				AUTOCLIC	X2 Cr Ni Mo 17-12-2	EN 10088-2	IN316L / SS316L	Classe 9D - CEI 61537 / Class 9D - IEC 61537

**2. DIMENSIONS (mm/inch)**



PCF 54

Reference(s) : 080 060/070/080/090/100/200/300/400  
 080 061/071/081/091/101/201/301/401  
 080 063/073/083/093/103/203/303/403  
 080 064/074/084/094/104/204/304/404  
 080 068/078/088/098/108/208/308/408

2. DIMENSIONS (mm/inch)

Designation	Ø1		Ø2		Ø3		Ø4		L int		L		H int		H	
	(mm)	(inch)	(mm)	(inch)	(mm)	(inch)	(mm)	(inch)	(mm)	(inch)	(mm)	(inch)	(mm)	(inch)	(mm)	(inch)
PCF 54/50 PG/EZ/GC	3.9	0.15	3.9	0.15	3.9	0.15	-	-	50.0	1.97	65.6	2.58	51.7	2.04	58.5	2.30
PCF 54/100 PG/EZ/GC	3.9	0.15	3.9	0.15	3.9	0.15	-	-	100.0	3.94	115.6	4.55	51.7	2.04	58.5	2.30
PCF 54/150 PG/EZ/GC	4.4	0.17	4.4	0.17	3.9	0.15	3.9	0.15	150.0	5.91	167.6	6.60	51.6	2.03	58.9	2.32
PCF 54/200 PG/EZ/GC	4.4	0.17	5.5	0.22	3.9	0.15	3.9	0.15	200.0	7.87	220.9	8.70	51.6	2.03	58.9	2.32
PCF 54/300 PG/EZ/GC	4.4	0.17	5.5	0.22	5.5	0.22	3.9	0.15	300.0	11.81	320.9	12.63	51.6	2.03	60.6	2.39
PCF 54/400 PG/EZ/GC	5.9	0.23	5.9	0.23	5.9	0.23	3.9	0.15	400.0	15.75	423.6	16.68	51.1	2.01	62.0	2.44
PCF 54/500 PG/EZ/GC	5.9	0.23	5.9	0.23	5.9	0.23	3.9	0.15	500.0	19.69	523.6	20.61	51.1	2.01	62.0	2.44
PCF 54/600 PG/EZ/GC	5.9	0.23	5.9	0.23	5.9	0.23	3.9	0.15	600.0	23.62	623.6	24.55	51.1	2.01	62.0	2.44
PCF 54/50 304L/316L	3.9	0.15	3.9	0.15	3.9	0.15	-	-	50.0	1.97	65.6	2.58	51.7	2.04	58.7	2.31
PCF 54/100 304L/316L	3.9	0.15	3.9	0.15	3.9	0.15	-	-	100.0	3.94	115.6	4.55	51.7	2.04	58.7	2.31
PCF 54/150 304L/316L	3.9	0.15	3.9	0.15	3.9	0.15	3.9	0.15	150.0	5.91	165.6	6.52	51.7	2.04	58.7	2.31
PCF 54/200 304L/316L	4.4	0.17	4.4	0.17	3.9	0.15	3.9	0.15	200.0	7.87	217.6	8.57	51.6	2.03	58.9	2.32
PCF 54/300 304L/316L	4.4	0.17	5.5	0.22	4.4	0.17	3.9	0.15	300.0	11.81	320.9	12.63	51.6	2.03	59.4	2.34
PCF 54/400 304L/316L	4.4	0.17	5.5	0.22	5.5	0.22	3.9	0.15	400.0	15.75	420.9	16.57	51.6	2.03	60.6	2.39
PCF 54/500 304L/316L	5.5	0.22	5.5	0.22	5.5	0.22	3.9	0.15	500.0	19.69	520.9	20.51	51.1	2.01	61.2	2.41
PCF 54/600 304L/316L	5.5	0.22	5.5	0.22	5.5	0.22	3.9	0.15	600.0	23.62	620.9	24.44	51.1	2.01	61.2	2.41

3. INSTALLATION

