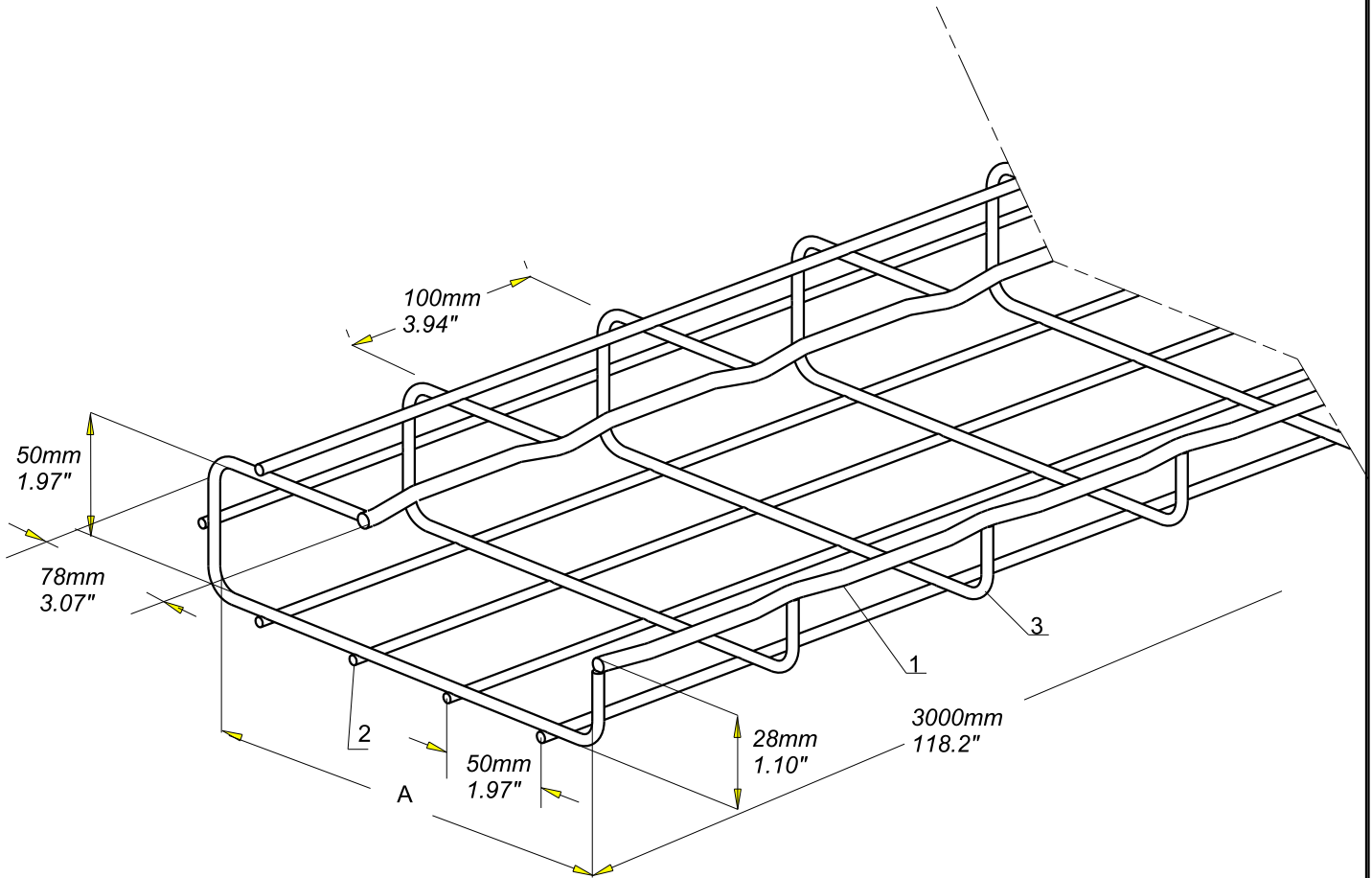


FT0025-3

07-17



	Ø 1		Ø 2		Ø 3	
	mm	inch	mm	inch	mm	inch
CFG50-100	4.4	0.173	3.9	0.154	4.4	0.173
CFG50-150	4.4	0.173	3.9	0.154	4.4	0.173
CFG50-200	5.9	0.232	3.9	0.154	4.4	0.173

REF	CODE	POIDS WEIGHT		A mm	A inch
		kg/m	lb/ft		
CFG50-100	003 223	0.982	0.660	100	3.937
CFG50-150	003 233	1.148	0.772	150	5.905
CFG50-200	003 243	1.464	0.985	200	7.874

NORMES / STANDARD	
MATIERE / MATERIAL C4D TO C9D	EN ISO 16120-2
PROTECTION / COATING GC / HDG	Class 6 according to CEI 61537