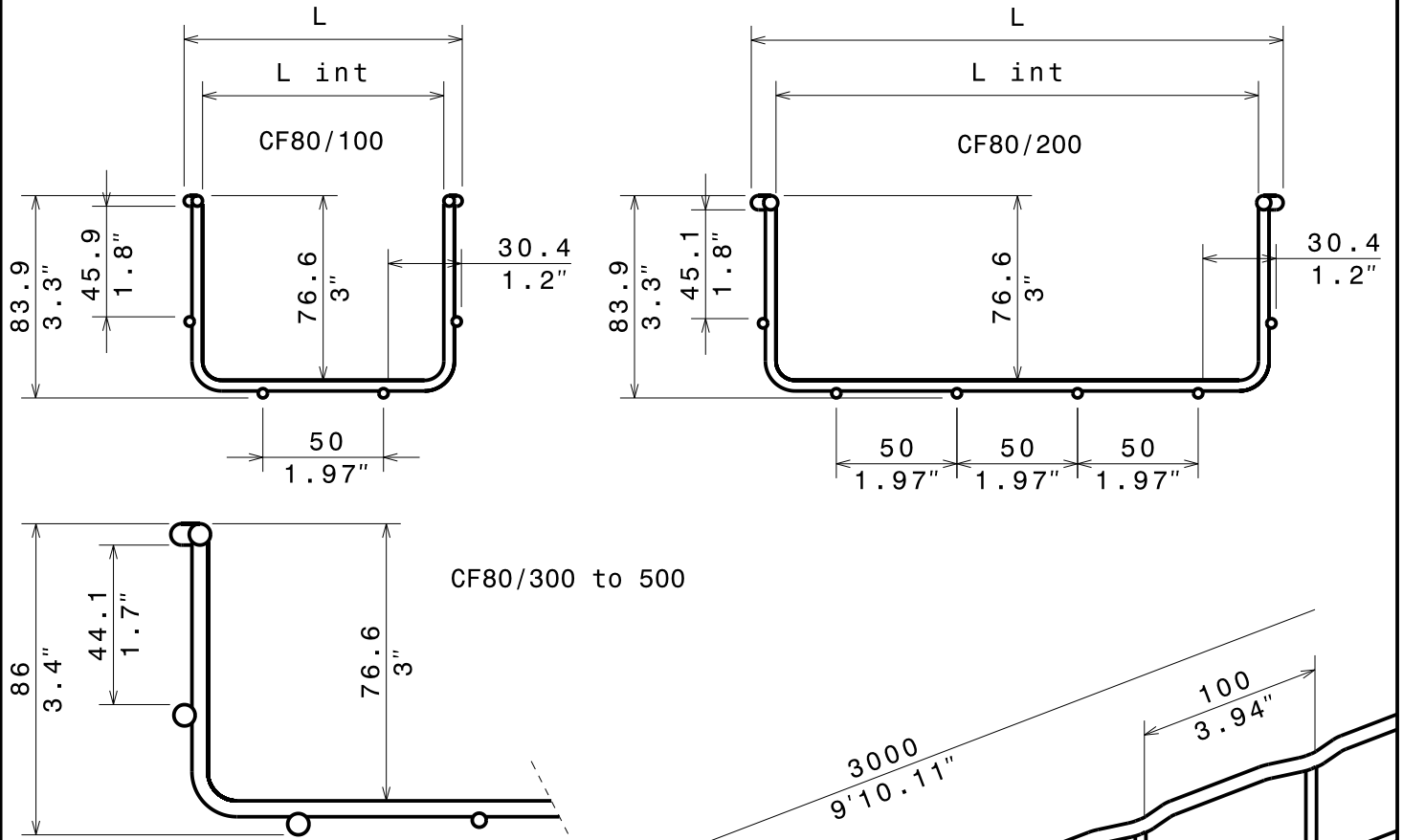


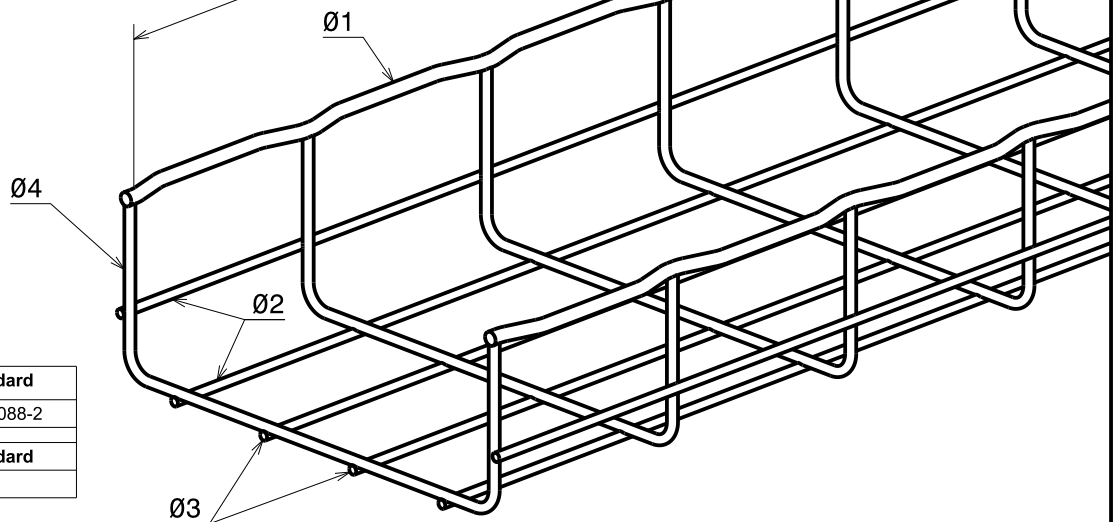
Designation: CABLOFIL CF80  
SS304L

Reference(s): 800 108/208/308/408/508



| Ø<br>(mm) | Ø<br>(inch) |
|-----------|-------------|
| 3.9       | 0,154       |
| 4.4       | 0,173       |
| 5.9       | 0,232       |

|                         |                 |
|-------------------------|-----------------|
| <b>Material</b>         | <b>Standard</b> |
| X2 Cr Ni 18-9           | EN 10088-2      |
| <b>Finition Coating</b> | <b>Standard</b> |
|                         |                 |



| REF      | CODE   | POIDS/WEIGHT |       | Ø1  | Ø2  | Ø3  | Ø4  | L int |        | L     |        |
|----------|--------|--------------|-------|-----|-----|-----|-----|-------|--------|-------|--------|
|          |        | (Kg)         | (lb)  |     |     |     |     | mm    | inch   | mm    | inch   |
| CF80/100 | 800108 | 0.920        | 0.417 | 4.4 | 3.9 | /   | 4.4 | 100   | 3,937  | 115.3 | 4.539  |
| CF80/200 | 800208 | 1.430        | 0.649 | 5.9 | 3.9 | 3.9 | 4.4 | 200   | 7,874  | 220.5 | 8.681  |
| CF80/300 | 800308 | 2.220        | 1.007 | 5.9 | 5.9 | 3.9 | 4.4 | 300   | 11,811 | 320.5 | 12.618 |
| CF80/400 | 800408 | 2.530        | 1.148 | 5.9 | 5.9 | 3.9 | 4.4 | 400   | 15,748 | 420.5 | 16.555 |
| CF80/500 | 800508 | 2.840        | 1.288 | 5.9 | 5.9 | 3.9 | 4.4 | 500   | 19,685 | 520.5 | 20.492 |