

**PDU BASIC 0U, 1 PHASE 16A,
 18 C13 + 6 C19 LOCKING OUTLETS, IEC 60309**

Cat. No: 6 469 60



CONTENTS	Page
1. KEY FEATURES	1
2. INPUT	1
3. OUTPUT	1
4. MECHANICAL FEATURES	2
5. ENVIRONMENTAL CHARACTERISTICS	2
6. ELECTRICAL DIAGRAM	3
7. DIMENSIONS	3
8. MOUNTING SOLUTIONS	4
9. PACKAGING	5
10. STANDARDS AND REGULATIONS	6

1. KEY FEATURES

Linkeo Data Center PDUs provide electric power for IT equipment in 19" enclosures.

They have been designed with specific features for Data Center applications.

Each C13 and C19 outlets are numbered and equipped with a cord locking (100 Newton retention force).

The circuits of the 32A PDUs are protected with hydraulic magnetic circuit breakers. Hydraulic magnetic circuit breakers are not affected by ambient temperature.

High ambient temperature rating: 60°C

Easy installation thanks to 330° rotating cable input and button-type brackets

2. INPUT

Input Plug	IEC 60309 16A 2P+E
Cord Length	3m - 9.84 ft
Cord Entry	Rotating (330°), bottom front
Cable Type	HO5VVF 3G2.5
Maximum Input Current	16A
Nominal Input Voltage	230V, Single-phase
Rated Input Voltage	200 - 240V
Input Frequency	50/60Hz
Power Capacity	3.7kW at 230V

3. OUTPUT

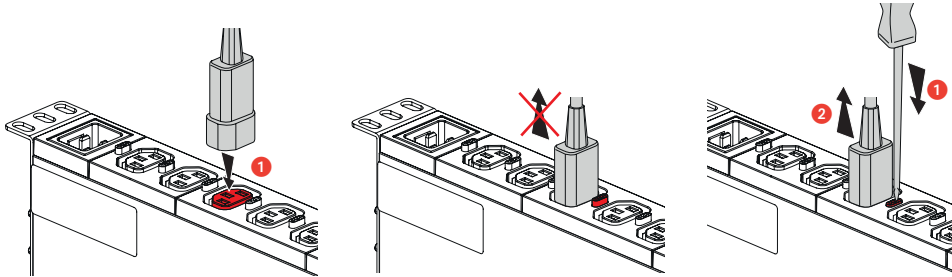
Nominal Output Voltage	230V
Outlet type	18 C13 + 6 C19
Cord locking system	Yes
Cord Retention	100 N
Circuit breakers	No
Circuit breakers type	No

Cable locking system on C13/C19 sockets

The cable is locked mechanically into the socket to prevent any unintended disconnection (caused by maintenance, vibrations, etc.).

Pull-out force 100 N

This universal solution is compatible with any standard compliant cord type on the market.



4. MECHANICAL FEATURES

- Casings: 6060 T5-R19 natural anodised aluminium

- Outlet modules:

PC/ABS

CW507L (CuZn 36) brass

- Fixing brackets:

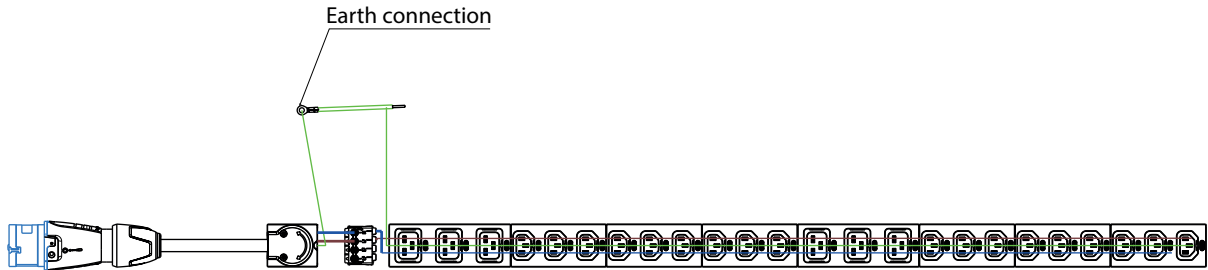
DC01-A-m galvanised steel

Color	Aluminium grey (casing) / black (outlet modules)
Casing	Zero-U, aluminium
IP	20
IK	04

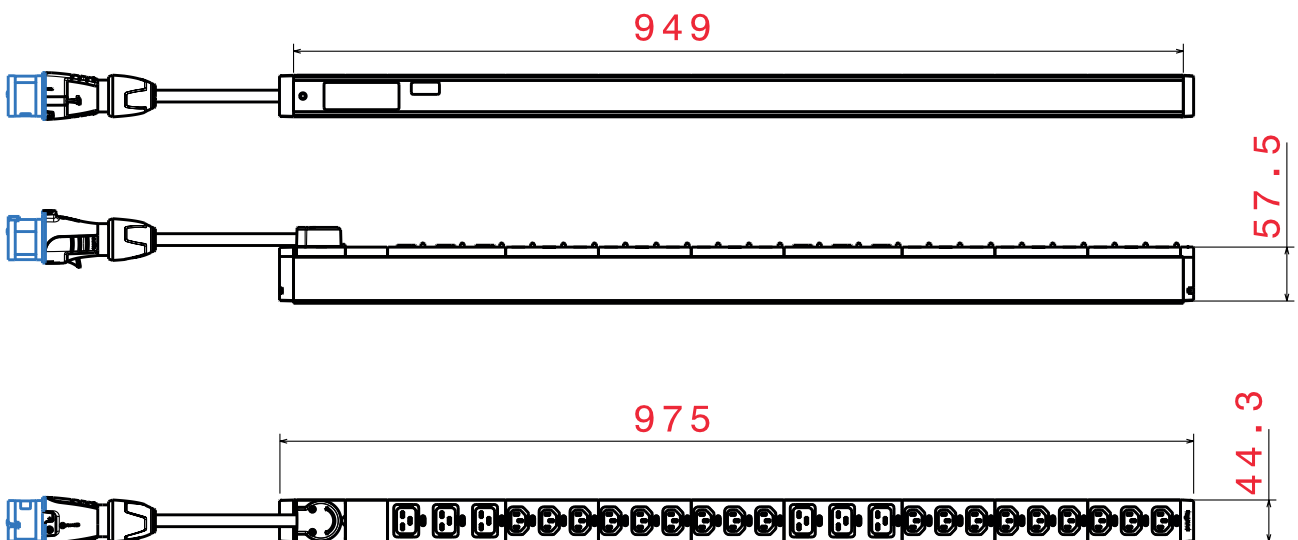
5. ENVIRONMENTAL CHARACTERISTICS

Storage and transport temperature	-20 to +70°C
Operating temperature	+5°C to +60°C
Operating Relative Humidity	5% to 95%
Operating Elevation	0 - 2000 m

6. ELECTRICAL DIAGRAM



7. DIMENSIONS



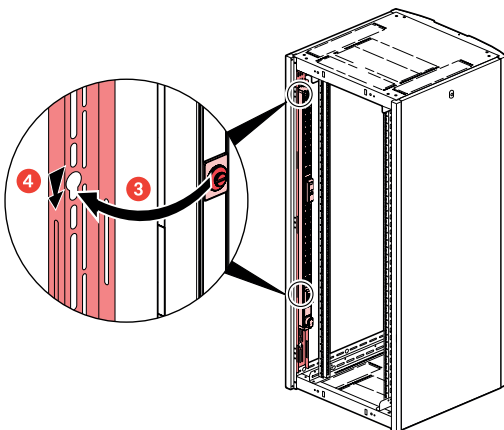
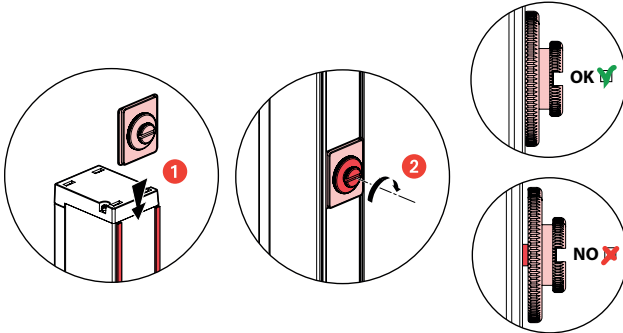
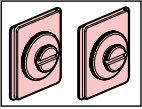
8. MOUNTING SOLUTIONS

8.1 INCLUDED

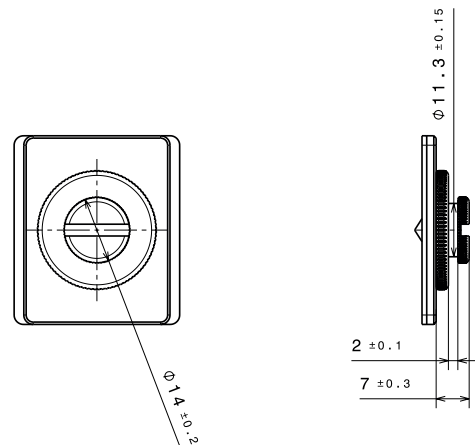
Delivered with 2 different sets for mounting in a rack.

Set of 2 buttons

Screwless fixing. The height of the fixing centre can be set at any point along the full height of the PDU by sliding the button slots into the groove on the rear of the PDU. Tightened using a screwdriver.

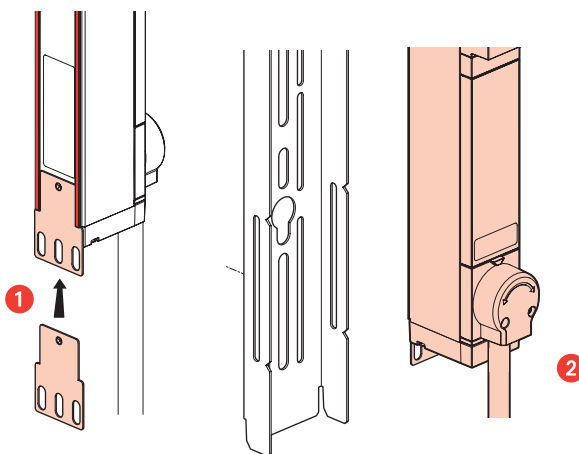
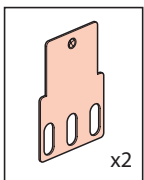


Button dimensions

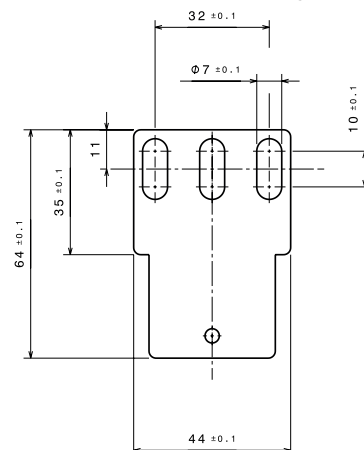


Set of 2 standard fixing brackets

Screw-fixing (screws not included)



Dimensions of standard fixing bracket



Fixing centres (min.-max.) with standard brackets : 987mm -1007mm

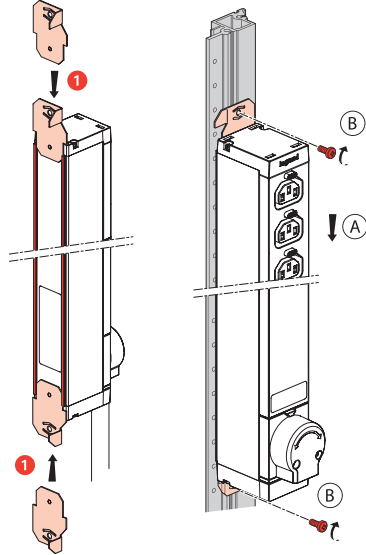
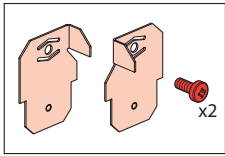
8.2 OPTION

Brackets for Nexpan racks

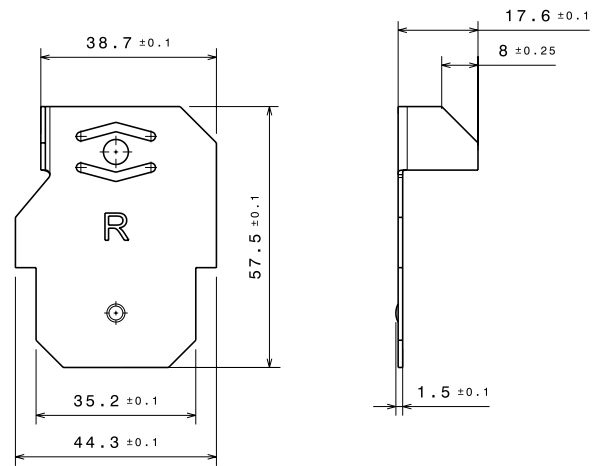
Screw-fixing (2 screws included)

Ref. 981227 Set of 2 brackets (for 1 PDU)

Ref. 981228 Set of 20 brackets (for 10 PDUs)



Dimensions of NEXPAND fixing bracket



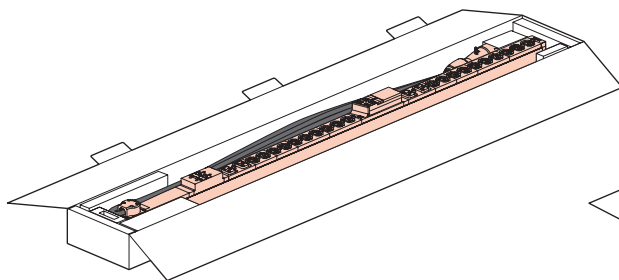
9. PACKAGING

	Individual packaging	Bulk packaging*
Cat. Ref	6 469 60	na

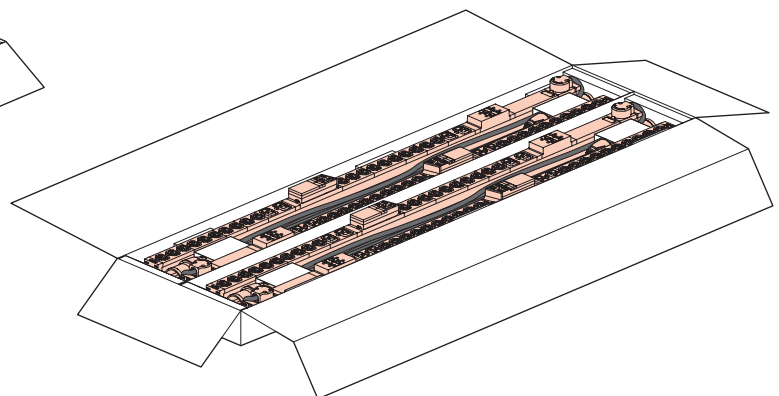
Linkeo Data Center PDUs can be delivered in two different types of packaging

- Individual packaging : 1 PDU in 1 pack
- Bulk packaging : a set of 4 PDUs in 1 pack

Individual packaging



Bulk packaging



Bulk packaging aims to facilitate and lighten the management of products, but also to reduce the environmental impact.

- Unpack and deploy PDUs faster
- Save time and money for waste treatment: bulk packaging saves more than 50% cardboard per PDU compared to individual packaging.
- Contribute to reducing carbon emission : bulk packaging makes it possible to ship up to 86% more units on a single pallet compared to individual packaging (56 PDUs versus 30)

* The bulk packaging option is open to PDUs between 1126mm and 1765mm in length.

Single-use plastic is eliminated in both individual and bulk packaging.

10. STANDARDS AND REGULATIONS

10.1 STANDARDS

Application	Standards
Safety	IEC 62368-1
C13 and C19 connectors for electrical equipment	IEC 60320-2-2 IEC 62368-1
Circuit breakers	Not Applicable
Industrial plugs	IEC 60309-1
Information and communication technology equipment	IEC 62368-1
Electromagnetic compatibility	EN 62311 (2008) EMF EN 50491-5-2 EN 50491-5-3 EN 55035 EN 55032 EN 61000-4-11 EN 61000-4-2 EN 61000-4-3 EN 61000-4-4 EN 61000-4-5 EN 61000-4-6 EN 61000-3-2

10.2 REGULATORY APPROVALS

CE, UKCA, CMIM

RoHS directive (Restriction of Hazardous Substances).

REACH regulations (Registration, Evaluation, Authorisation & restriction of CHemicals).