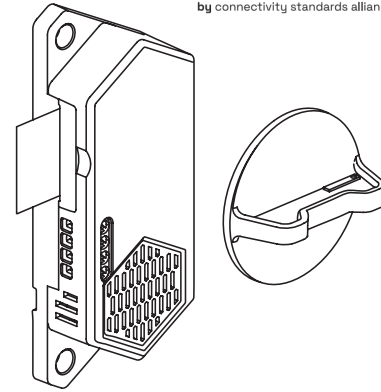


6 460 03



6 460 04

1. GENERAL CHARACTERISTICS

■ 1.1 Présentation

Sensors for cabinet environmental monitoring.

Energy-friendly radio communications with intelligent PDUs powered by 2.4 GHz Zigbee GreenPower Technology.

Easy wire-free deployment and maintenance.

Ultra long battery life (5+ years replaceable battery).

Different fixing solutions for sensors: with double sided tape, with cable ties, with a swing nut (supplied with the sensors) or with accessory Cat. No 6 460 06 for a more stylish installation.

2. TECHNICAL SPECIFICATIONS

- 6 460 03/04

Frequency band	2400-2483,5 MHz
RF power max.	< 10dBm/10mW
Performance	Range: 200 m free field point to point, 3m in Datacenter environment (sensor to PDU)

- 6 460 03

Temperature

Measurement range (Celcius)	5°C to 55°C
Measurement resolution (Celcius)	0.1°C
Measurement accuracy (Celcius)	± 1% (5°C to 20°C : ± 2°C 20°C to 55°C : ± 0.5°C)
Measurement range (Fahrenheit)	41°F to 131°F
Measurement resolution (Fahrenheit)	1°F
Measurement accuracy (Fahrenheit)	± 1% (41°F to 68°F : ± 2°F 68°F to 131°F : ± 0.5°F)
Alimentation	A Lithium CR2450, 3 V battery Nominal capacity : 620 mAh Use temperature : +5°C - +55°C

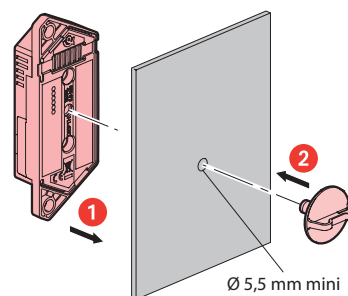
Humidity

Measurement range	0%RH to 100%RH
Measurement resolution	1%
Measurement accuracy	6% (± 2.5%RH at 25°C)
Alimentation	A Lithium CR2450, 3 V battery Nominal capacity : 620 mAh Use temperature : +5°C - +55°C

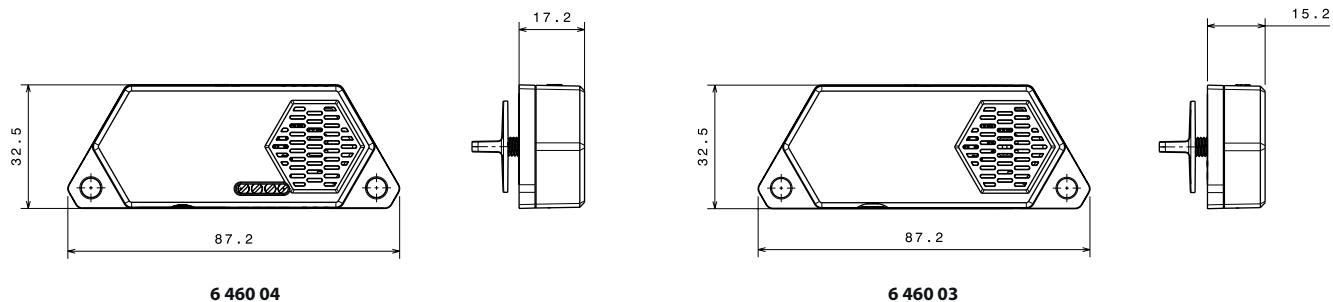
- 6 460 04

Contact number	2
Dry contact only	Yes
Type of contact accepted	Magnetic
Default Configuration	NO (Normally open)
Wire gauge range	14 - 28 AWG
Alimentation	A Lithium CR2450, 3 V battery Nominal capacity : 620 mAh Use temperature : +5°C - +55°C

3. FIXATION

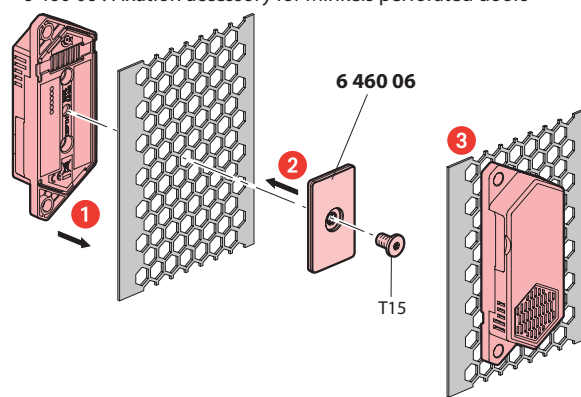


4. DIMENSIONS



5. ACCESSORIES

- 6 460 06 : Fixation accessory for Minkels perforated doors



6. STANDARDS AND APPROVALS

IEC62368-1
ETSI EN 301 489-1
ETSI EN 301 489-17
EN 62 311
EN 300 328 V2.2.2