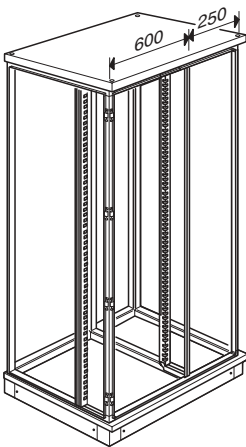


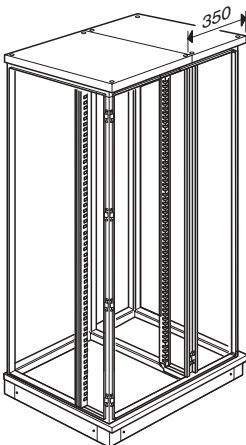
**MDX
LDX**

FBS/850N



HDX

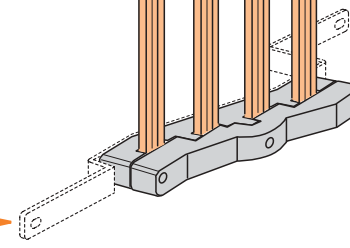
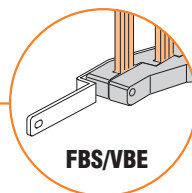
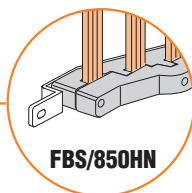
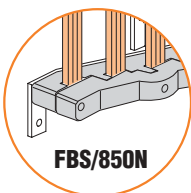
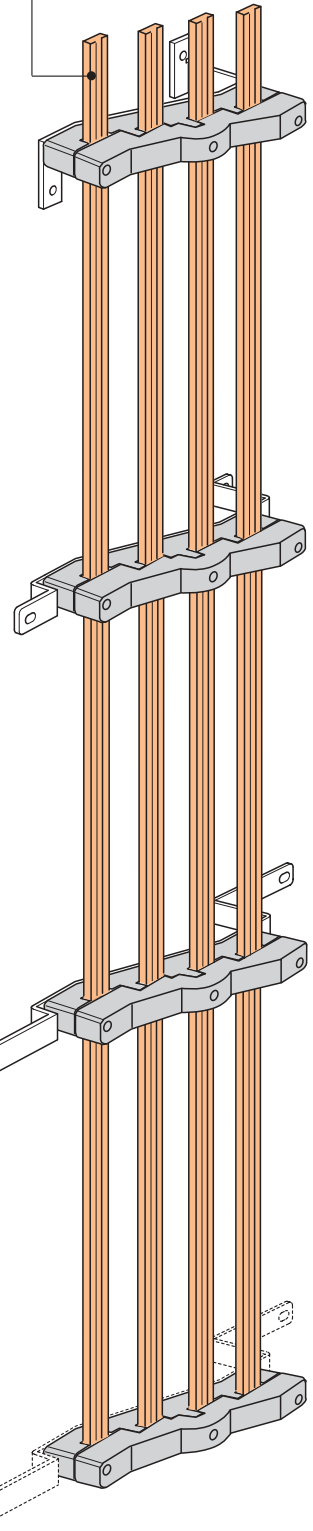
FBS/850HN

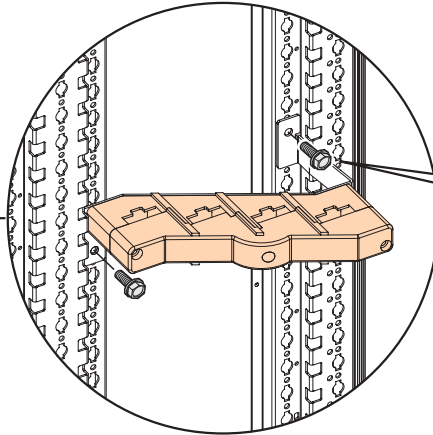
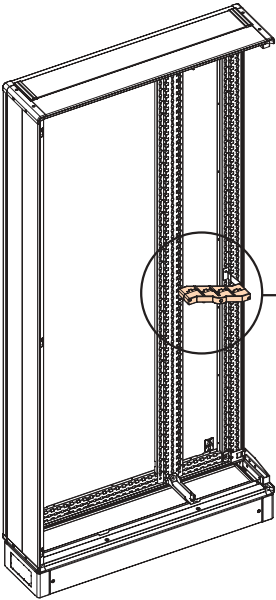


**MDX
LDX
HDX**

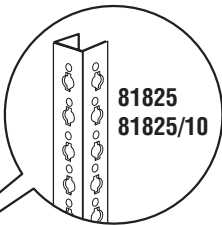
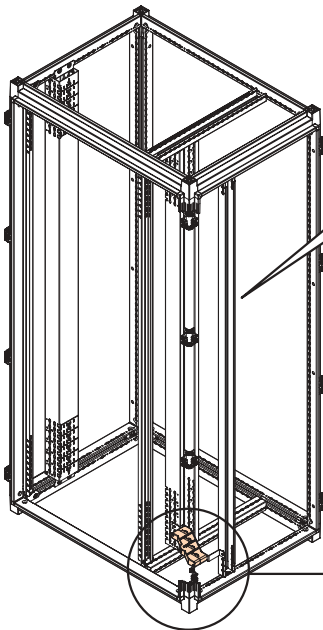
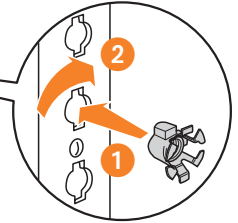
FBS/VBE

250A	FB250
400A	FB400
630A	FB630

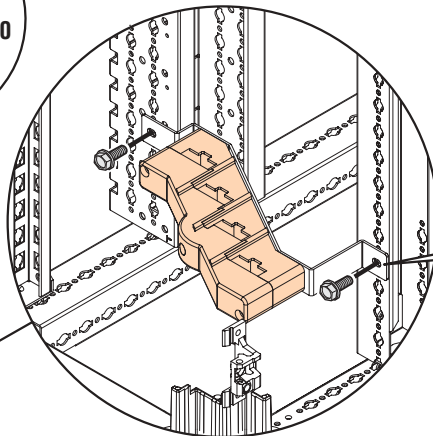




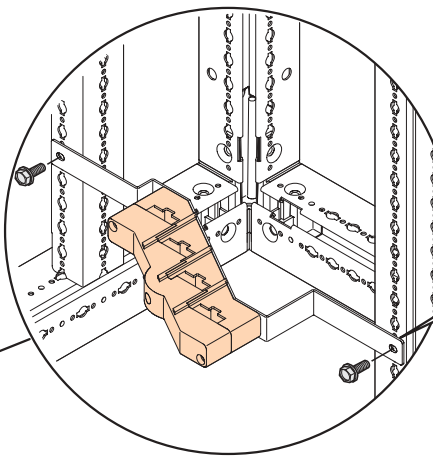
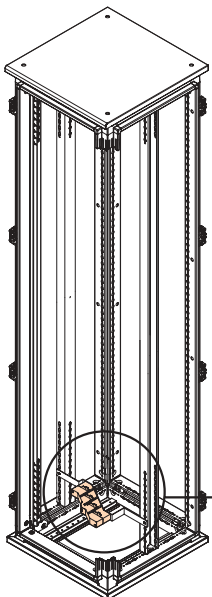
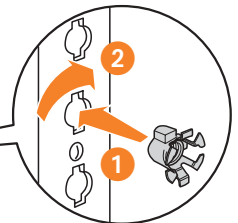
FBS/850N



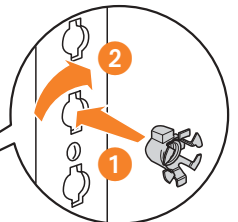
**81825
81825/10**

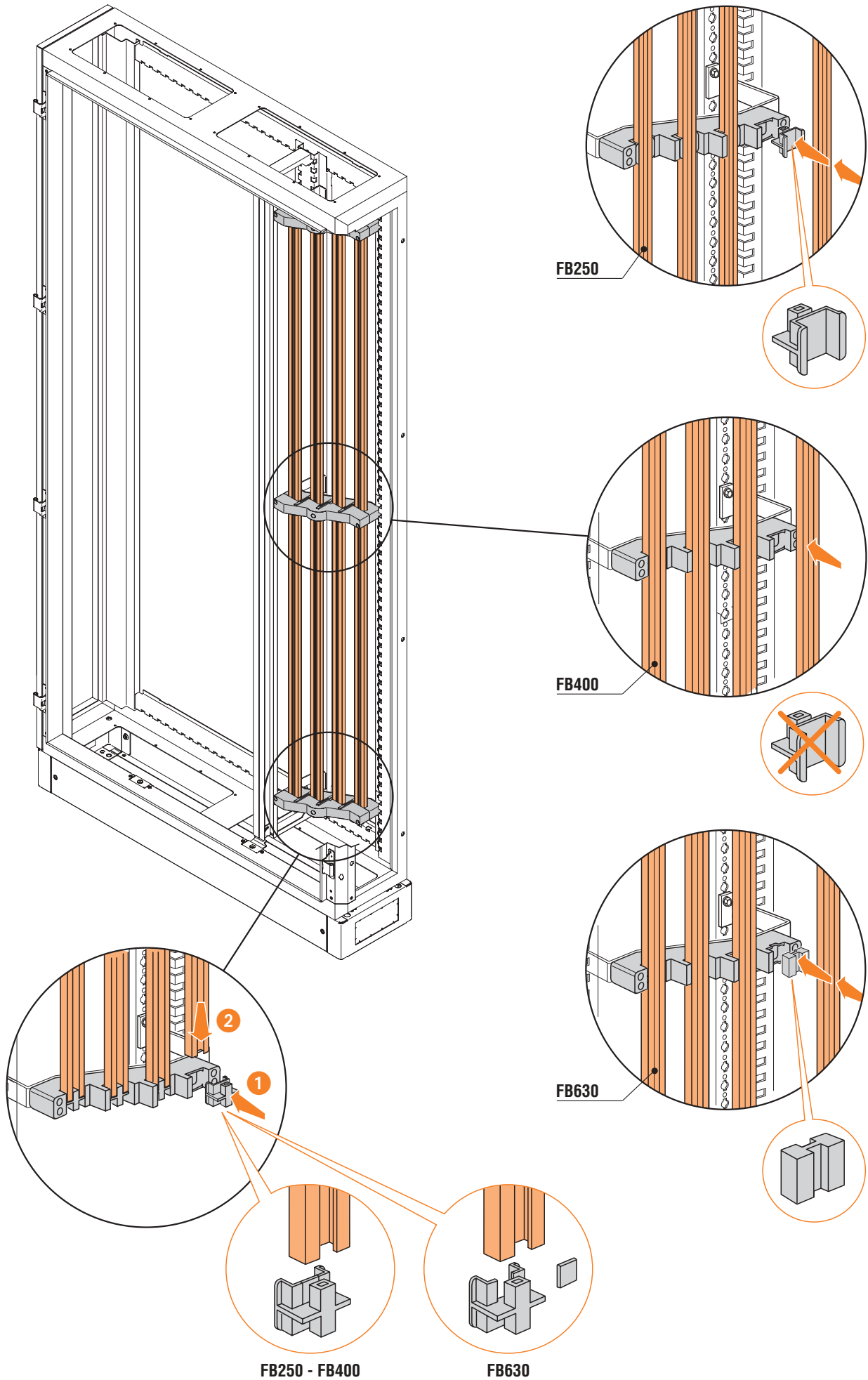


FBS/850HN



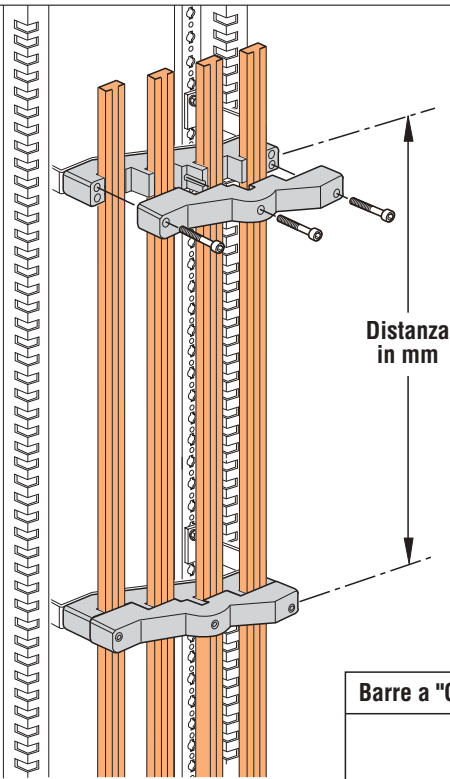
FBS/VBE





FB250 - FB400

FB630



Barre a "C"	Portata	Isolatori	Distanza fra gli isolatori in funzione della Icc (mm)					
			5 kA	10 kA	15 kA	20 kA	25 kA	30 kA
FB250	250A	FBS/850N	1600	800	400	320	250	-
FB400	400A	FBS/850HN	1600	800	533	400	320	250
FB630	630A	FBS/VBE	1600	800	533	400	320	250

