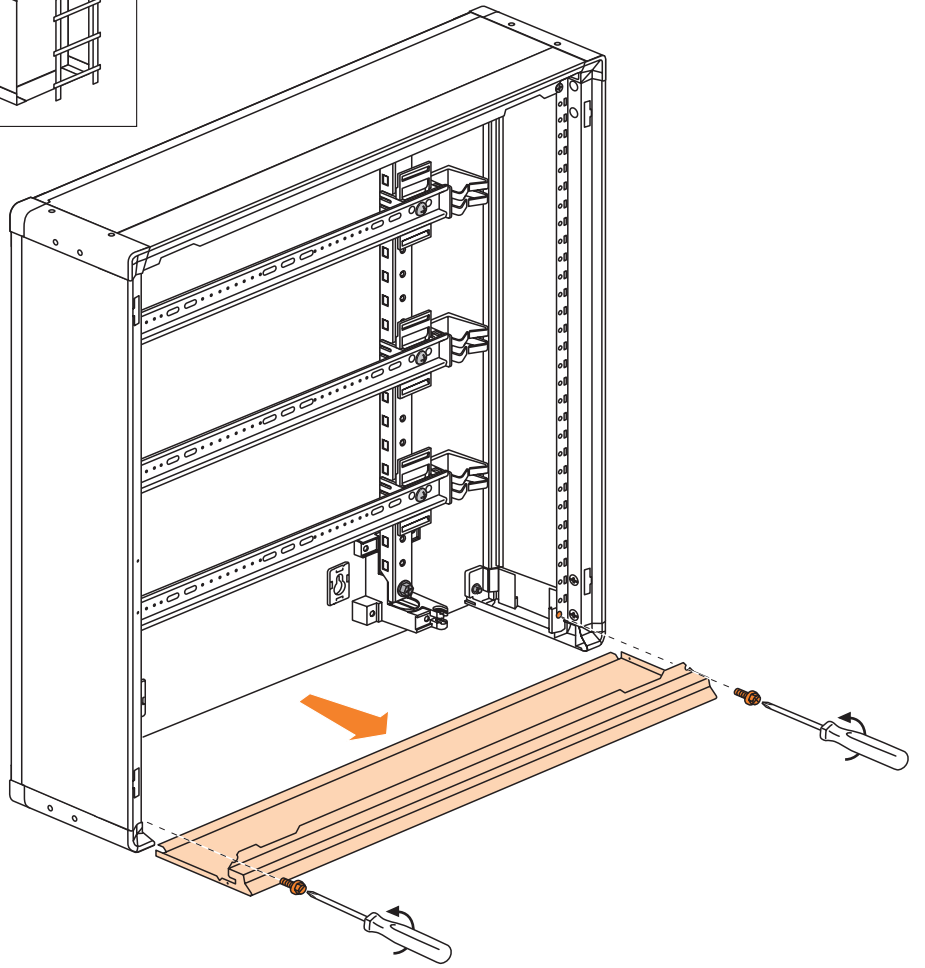
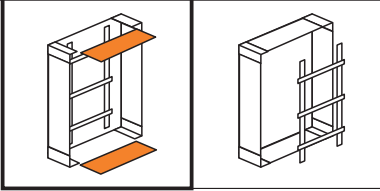
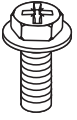
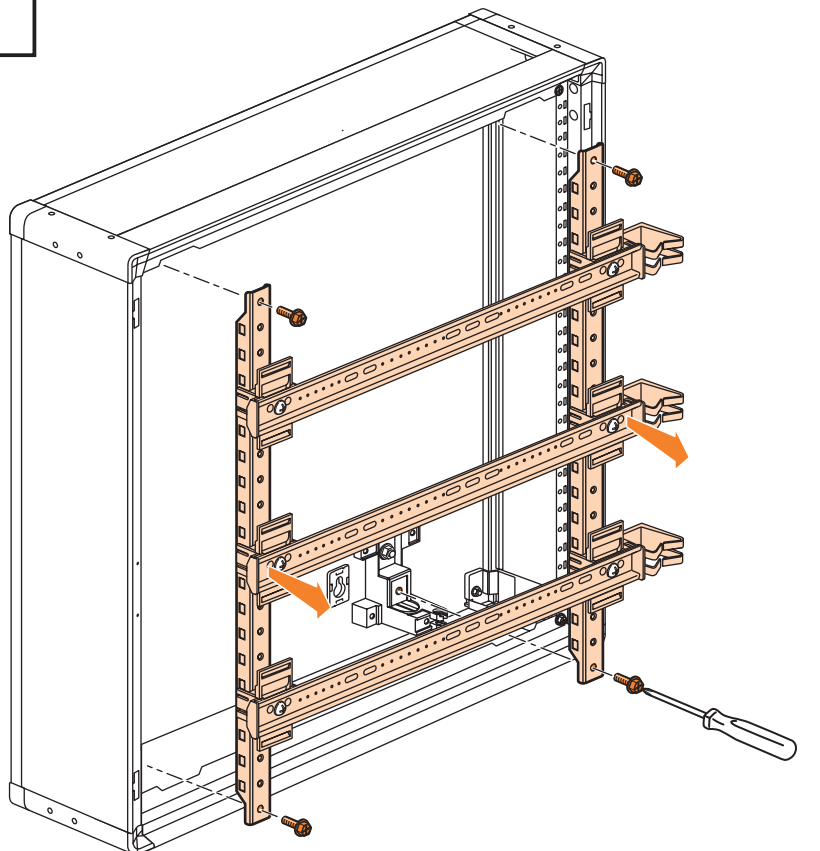
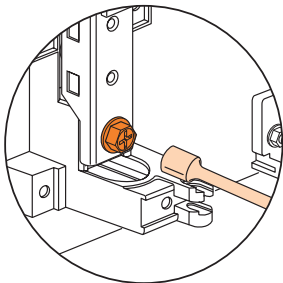
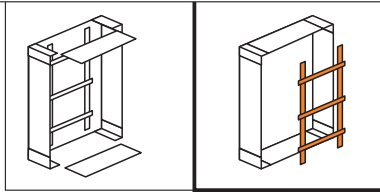
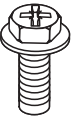


H (mm)	art.	H (mm)	art.
400	94520L		
550	94530L		
700	94540L		
850	94550L	850	94551L
1000	94560L	1000	94561L

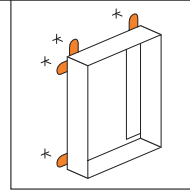
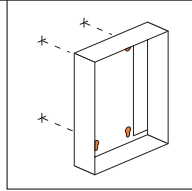
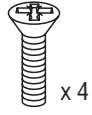
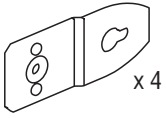
x 4



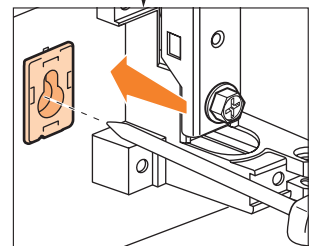
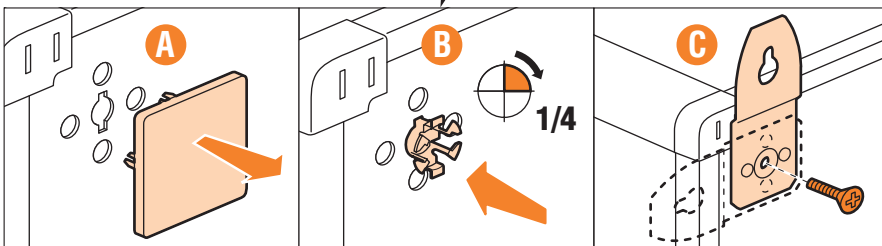
x 4

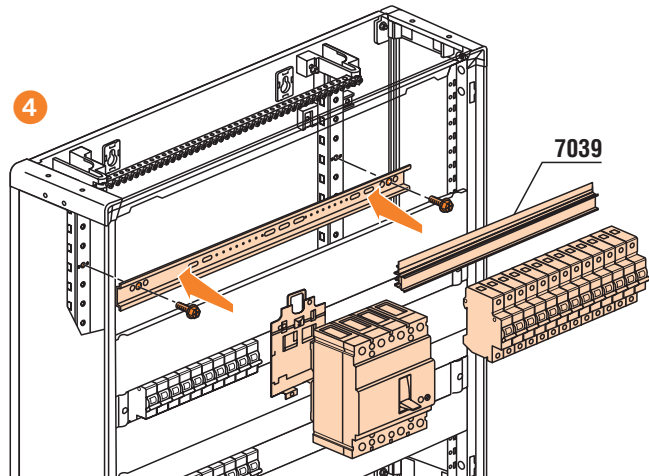
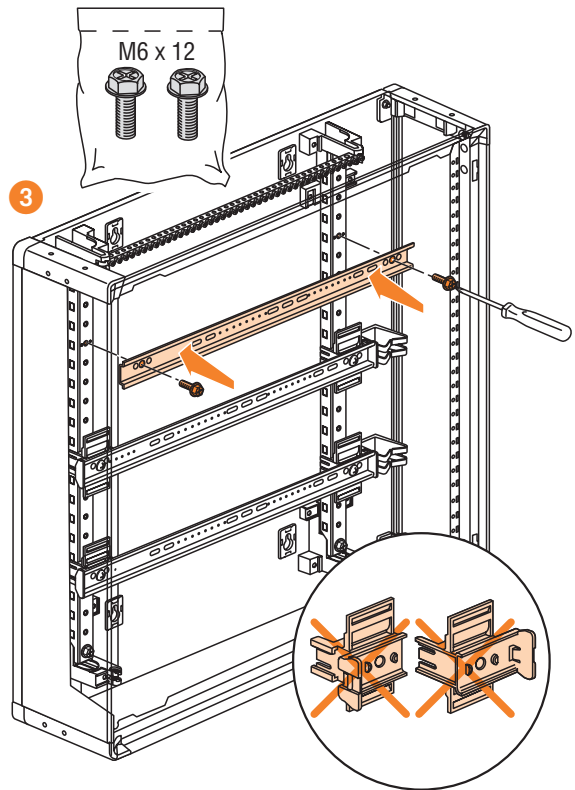
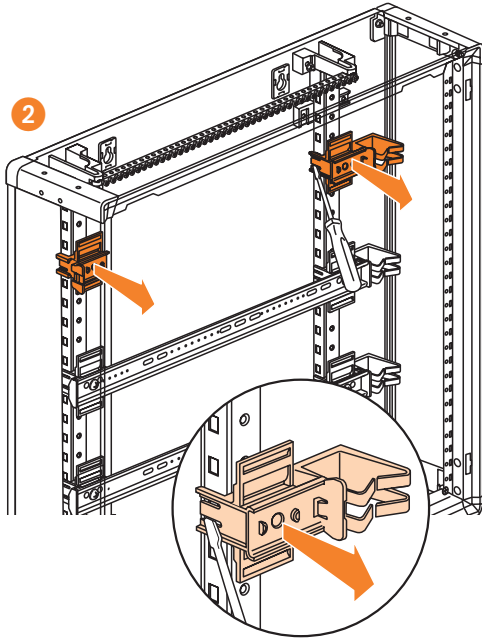
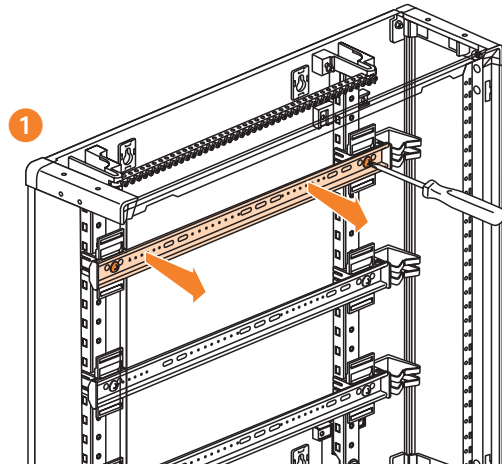
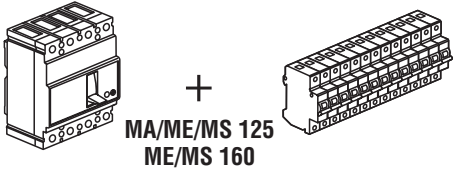


93000FM

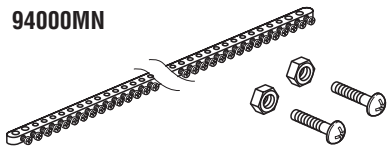


				<table border="1"> <thead> <tr> <th>H (mm)</th> <th>art.</th> <th>A (mm)</th> <th>B (mm)</th> <th>C (mm)</th> </tr> </thead> <tbody> <tr> <td>400</td> <td>94520L</td> <td>500</td> <td>305</td> <td>343</td> </tr> <tr> <td>550</td> <td>94530L</td> <td>650</td> <td>455</td> <td>493</td> </tr> <tr> <td>700</td> <td>94540L</td> <td>800</td> <td>605</td> <td>643</td> </tr> <tr> <td>850</td> <td>94550L 94551L</td> <td>950</td> <td>755</td> <td>793</td> </tr> <tr> <td>1000</td> <td>94560L 94561L</td> <td>1100</td> <td>905</td> <td>943</td> </tr> </tbody> </table>	H (mm)	art.	A (mm)	B (mm)	C (mm)	400	94520L	500	305	343	550	94530L	650	455	493	700	94540L	800	605	643	850	94550L 94551L	950	755	793	1000
H (mm)	art.	A (mm)	B (mm)	C (mm)																										
400	94520L	500	305	343																										
550	94530L	650	455	493																										
700	94540L	800	605	643																										
850	94550L 94551L	950	755	793																										
1000	94560L 94561L	1100	905	943																										

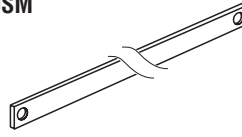




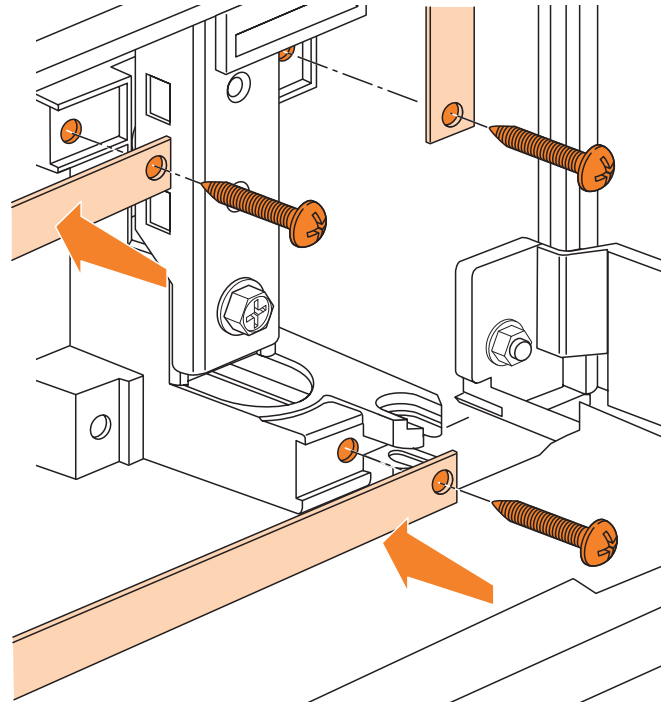
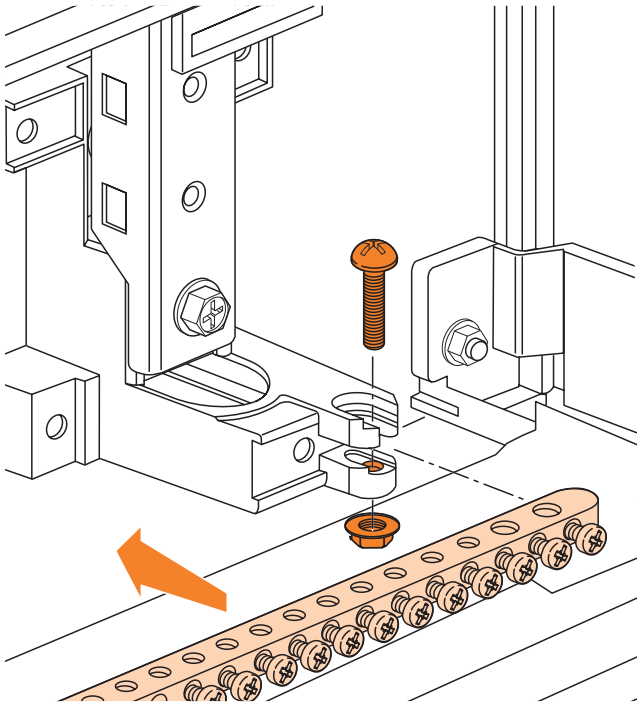
94000MN



94000SM

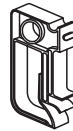


6



IP 30

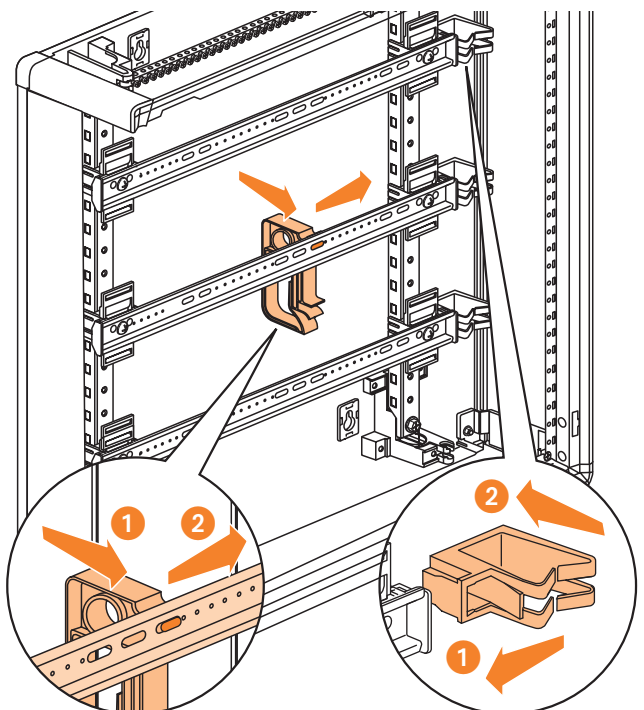
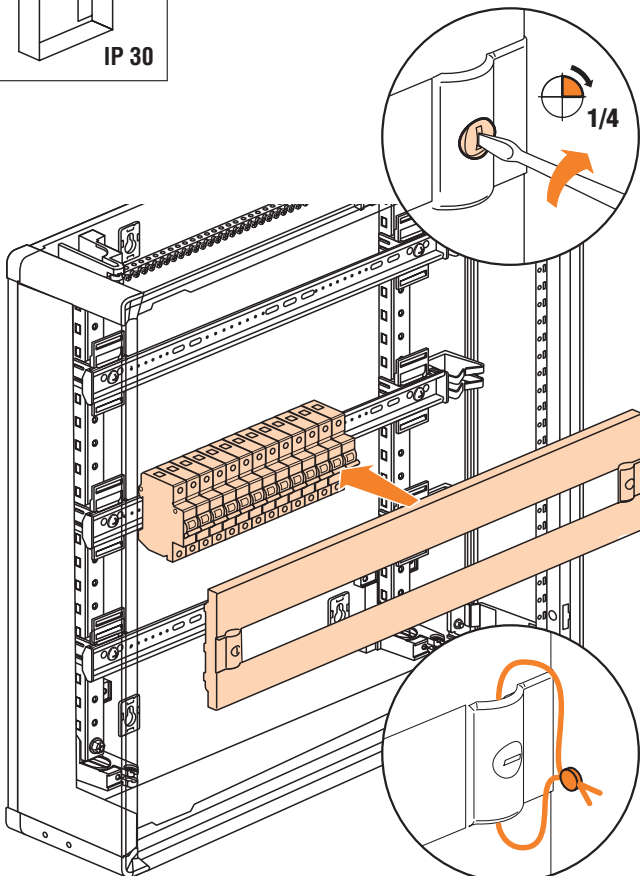
94000MO



94000BV

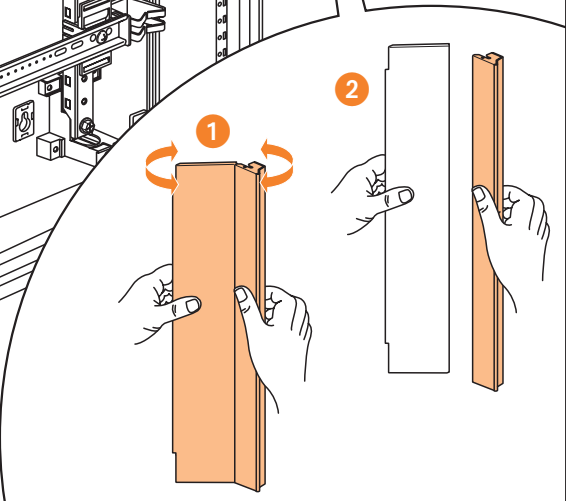
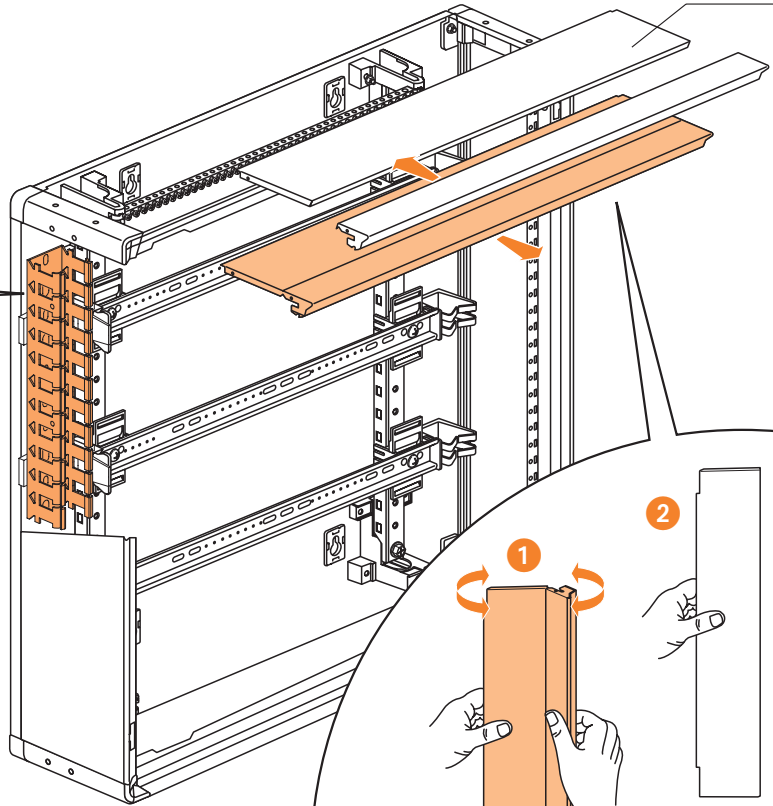
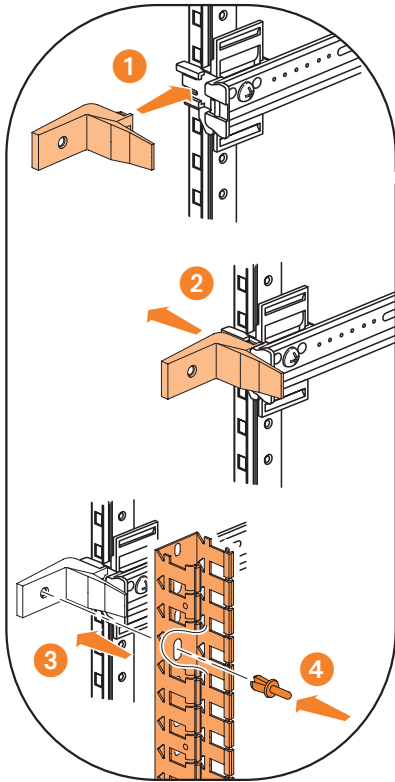
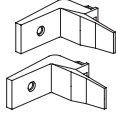
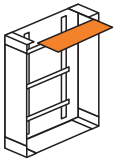


7

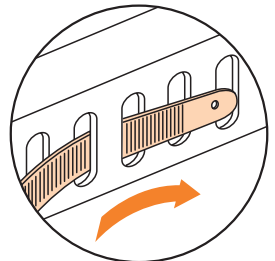
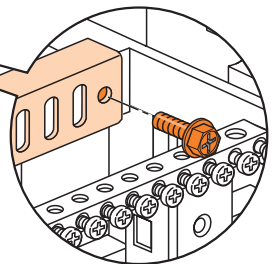
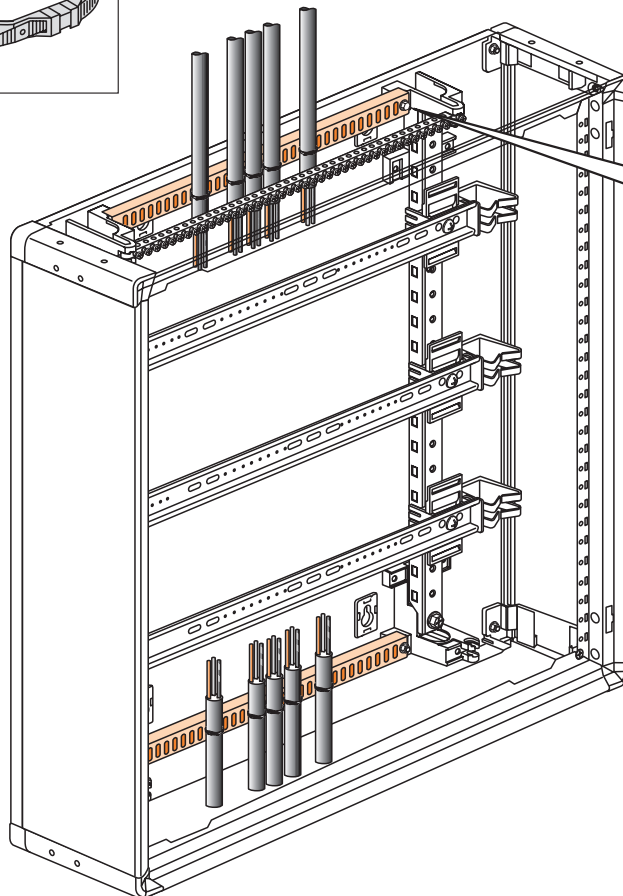
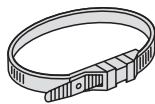
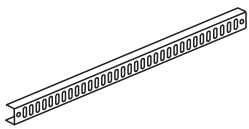


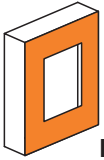
94000MV

94500PP

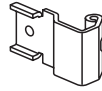
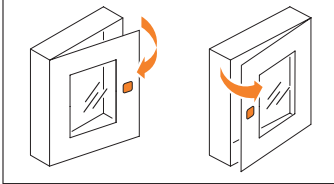


94500TRO





IP 40



x2



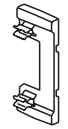
x2



x2



x2



x2

