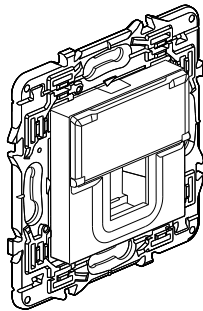
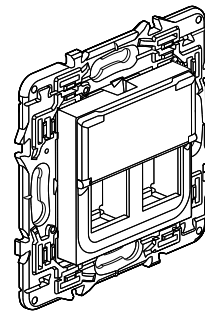


## Valena™ Next Adaptor for data socket

Cat. No(s): 741277 - 741377 - 741477  
 741278 - 741378 - 741478



741277/741377/741477



741278/741378/741478

### 1. USE

Single- and double-port data socket faceplates  
 Equipped with transparent identification label holder

### 2. RANGE

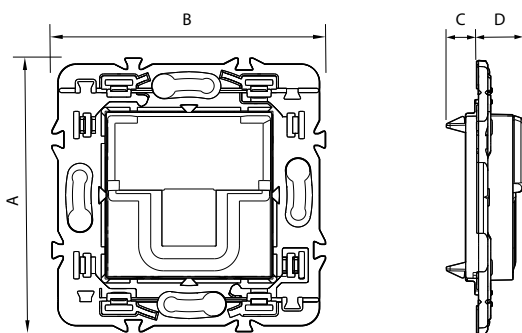
Adaptador individual RJ45 tipo keystone

Blanco	Aluminio	Dark
741277	741377	741477

Adaptador doble RJ45 tipo keystone

Blanco	Aluminio	Dark
741278	741378	741478

### 3. DIMENSIONS (mm)



A	B	C	D
74	74	8	12,5

### 4. TECHNICAL CHARACTERISTICS

#### ■ 4.1 Mechanical characteristics

Impact resistance: IK 03  
 Penetration against solid bodies and liquids: IP 20

#### ■ 4.2 Material characteristics

Faceplate: White PC RAL 9003  
 Identification label holder made of transparent PC  
 Halogen-free  
 UV-resistant  
 Self-extinguishing: 650°C/30 s

#### ■ 4.3 Climate characteristics

Storage temperature: -10°C to +70°C  
 Usage temperature: -5°C to +35°C

### 5. CLEANING

Clean the surface with a cloth.  
 Do not use acetone, tar-removing cleaning agents or trichloroethylene.  
 Resistant to the following products: hexane, methylated spirit, soapy water, diluted ammonia, bleach diluted to 10%, window-cleaning products, pre-impregnated wipes.

**Caution:** Always test before using other special cleaning products.

### 6. STANDARDS AND APPROVALS

Compliant with installation and manufacturing standards.  
 See e. catalogue.