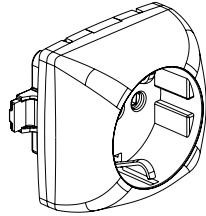
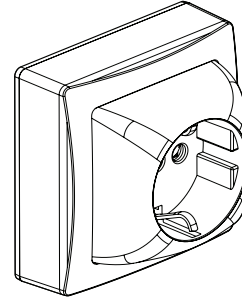


Surface-mounted power sockets Schuko standard

Cat. No(s): 0 860 29L/31L/77L
0 861 29L/31L



0 861 29L



0 860 31L

1. USE

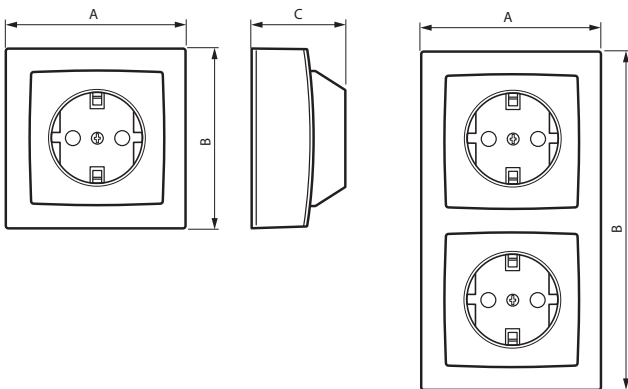
Power sockets 16 A conforming to french standard.
 Devices supplied complete or modular mechanisms

2. RANGE

| Description | Comple Unit | Modular component |
|--|-------------|-------------------|
| 2 P+E socket outlets without shutters | 0 860 29L | 0 861 29L |
| 2 P+E socket outlets with shutters | 0 860 31L | 0 861 31L |
| 2 x 2 P+E socket outlets with shutters | 0 860 77L | - |

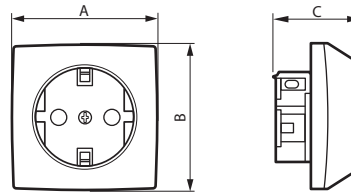
3. OVERALL DIMENSIONS (mm)

Comple Unit



3. OVERALL DIMENSIONS (mm) (continued)

Modular component



| References | A | B | C |
|------------|------|------|------|
| 0 860 29L | 72 | 72 | 41.2 |
| 0 860 31L | 72 | 72 | 41.2 |
| 0 860 77L | 72 | 136 | 41.2 |
| 0 861 29L | 54.5 | 54.5 | 39.2 |
| 0 861 31L | 54.5 | 54.5 | 36 |

4. CONNEXION

Terminal type: screws
 Terminal capacity: from 1.5 mm² to 2.5 mm² (1 or 2 conductors)
 Stripping length: 12 mm

5. TECHNICAL CHARACTERISTICS

■ 5.1 Protection index

Protection against solid bodies and liquids: IP 31D (complete product)
Protection against mechanical impact: IK 04

■ 5.2 Material characteristics

Frame, support: ABS

Cover plate: PC

UV resistant

Halogen-free

Self-extinguishing:

+ 850° C / 30 s for insulating components holding in place live parts.

+ 650° C / 30 s for the other insulating components.

■ 5.3 Electric characteristics

Voltage: 250 Vac

Current: 16 A

Fréquency: 50 Hz

■ 5.4 Climatic characteristics

Operating temperature: -10° to +40°C

Storage temperature: -25°C to +60°C

6. CLEANING

Surface cleaning with a cloth.

Do not use: acetone, tar remover, trichloroethylene.

Resistance to the following agents: Hexane, Methylated spirits, Soapy water, Diluted ammonia, Diluted pure bleached 10%, Glass cleaning substance, Pre-impregnated wipes.

Caution: A preliminary test should be carried out if other specific cleaning products are to be used.

7. STANDARDS AND APPROVALS

Compliant with installation and manufacturing standards.

See e.catalogue