

Terminal shield

**Cat.Nos: 0 013 01 - 0 013 02 - 0 013 04 - 0 013 06
 0 013 08 - 0 927 12 - 0 927 13 - 0 927 14 - 0 927 15
 0 927 16 - 1 013 06 - 1 013 08 - 0 012 26**



1. DESCRIPTION, USE

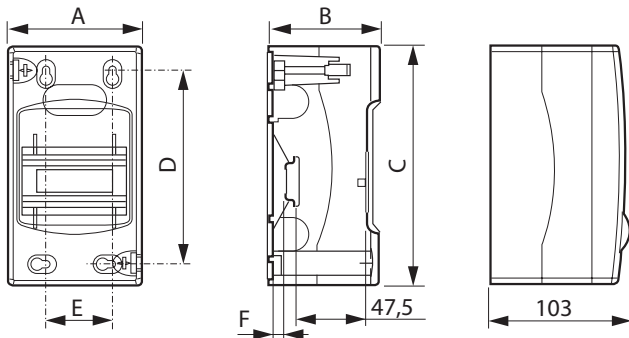
Terminal shield from 1 to 8 modules and 27 modules 1 row cabinet glow wire test 750°C in accordance with EN 60695-2-11.

Conform to IEC 62 208 : Used to create assemblies conforming to IEC 61 439-3.

Intended for direct sealing except 8 modules and 27 modules with accessory (Cat.No 0 013 89)

2. DIMENSIONS

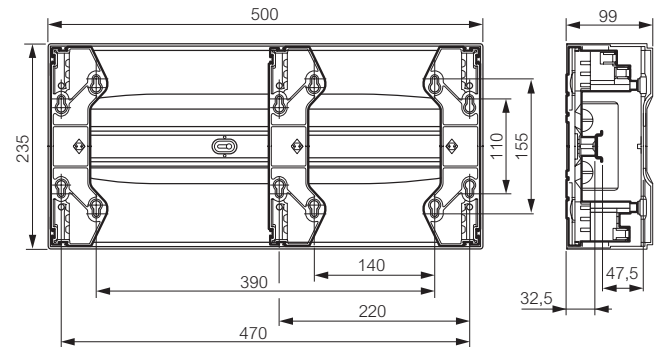
2.1 Terminal shield from 1 to 8 modules



Cat.Nos	Dimensions (mm)					
	A	B	C	D	E	F
0 013 01 - 0 927 12	30	72	140	120	10	7
0 013 02 - 0 927 13	50	72	140	115	25	7
0 013 04 - 0 927 14	90	74	160	130	45	7
0 013 06 - 0 927 15 - 1 013 06	128	74	160	125	80	7
0 013 08 - 0 927 16 - 1 013 08	190	83	180	130	120	14.5

2.2 27 modules cabinet

Cat.No 0 012 26



1 shutter 5 modules provided only for Cat.No 0 012 26.

3. TECHNICAL CHARACTERISTICS

3.1 Mechanical characteristics

Protection rating:
 IP 30 - IK 05 without door.
 IP 40 - IK 07 with door.
 (only available on Cat.Nos 0 013 08, 1 013 08 et 0 927 16).
 Double insulation (except 27 modules 0 012 26).

3.2 Material characteristics

Color: white RAL 9003.
 Glow wire test: 750°C in accordance with EN 60695-2-11.
 Cover, base: polystyrene (PS).
 Door: polycarbonate (PC) (0 013 28/0 013 38 only accessory for 0 013 08/1 013 08/0 927 16).
 Cover screw: PA66 (only on 8 and 27 modules).
 Terminal block support and cover: polycarbonate.
 Terminal block: brass.
 Terminal block screw: steel.
 Din rail and rail screw: steel on 27 modules.

3. TECHNICAL CHARACTERISTICS (continued)

■ 3.3 Electrical characteristics

Rated operating voltage: 400 V AC - 50/60 Hz.
 Rated insulation voltage U_i : 400 V AC - 50/60 Hz.
 Rated impulse withstand voltage: $U_{imp} = 6$ kV.
 Short-circuit current: 10 kA.
 Maximum permissible current (I_{na}) : 1 to 6 modules 40 A, 8 and 27 modules 63 A.

Dissipated power:

Cat.Nos	Number of modules	Dissipated power Pde (W)
0 013 01 - 0 927 12	1	2
0 013 02 - 0 927 13	2	7
0 013 04 - 0 927 14	4	10
0 013 06 - 0 927 15 - 1 013 06	6	13
0 013 08 - 0 927 16 - 1 013 08	8	18
0 012 26	27	30

Terminal block capacity (IP2X):

Terminal shield from 1 to 8 modules

Cat.Nos	Earth terminal block with screw	Neutral terminal block with screw
	1,5 - 16 mm ²	1,5 - 16 mm ²
0 013 01 0 927 12	-	-
0 013 02 0 927 13	-	-
0 013 04 0 927 14	4	-
0 013 06 0 927 15	4	-
0 013 08 0 927 16	8	-
1 013 06	4	4
1 013 08	8	8

27 modules cabinet

Cat.No	Earth terminal block		Phase + neutral terminal block	
	Cage terminals	Automatic terminals	Screw terminals	
	6 - 25 mm ²	1,5 - 4 mm ²	10 - 35 mm ²	6 - 25 mm ²
0 012 26	5	27	1	5

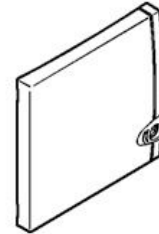
■ 3.4 Climatic characteristics

Storage temperature: - 25 °C to + 70 °C.
 Installation temperature: - 25 °C to + 60 °C.
 Use temperature: - 10 °C to + 60 °C.

4. INSTALLATION ADD-ONS

■ 4.1 Doors

Doors for cabinets 0 013 08 - 0 927 16 - 1 013 08:
 - 0 013 28: white.
 - 0 013 38: transparent.



■ 4.2 Sealing accessory

Use sealing accessory Cat.No 0 013 89 for the 8 modules (Cat.Nos 0 013 08 - 0 927 16 - 1 013 08) and 27 modules (Cat.No 0 012 26) terminal shields.

