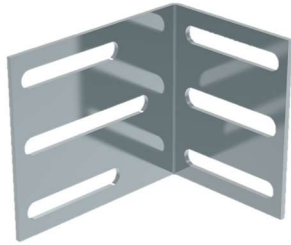


GLO4 – WALL BRACKET & SCREW CLAMP

Reference(s): 8383160, 344872



1. USE

Wall bracket for height H60 mm, H100 mm and H150 mm.
Screw Clamp for height H60 mm, H100 mm and H150 mm.

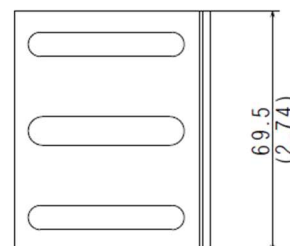
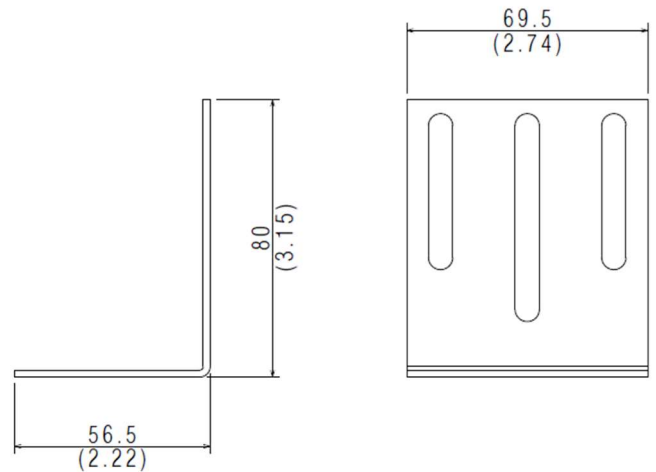
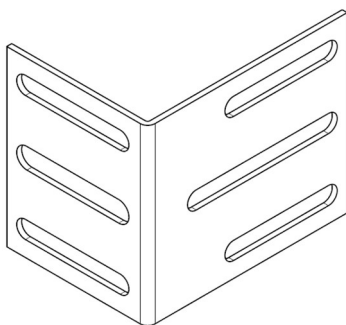
2. RANGE

■ 2.1 Wall Bracket

Description	Code	Weight		Thickness		Coating
		(kg)	(lb)	(mm)	(inch)	
GLO-4 / P31-WALL BRACKET-HR-VERTICAL INSTALLATION	8383160	0,11	0,25	2	0,08	ZnMg

3. DIMENSIONS (mm/inch)

■ 3.1 Wall Bracket dimensions



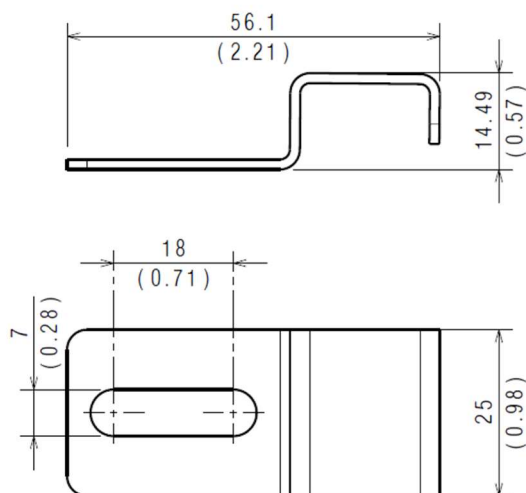
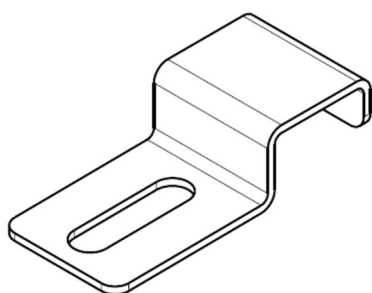
4. RANGE

■ 4.1 Screw Clamp

Description	Code	Weight		Thickness		Coating
		(kg)	(lb)	(mm)	(inch)	
GLO-4 SCREW CLAMP -LD-MD-HR-H60/100/150	344872	0,02	0,04	1,5	0,06	ZnMg

5. DIMENSIONS (mm/inch)

■ 5.1 Screw Clamp dimensions



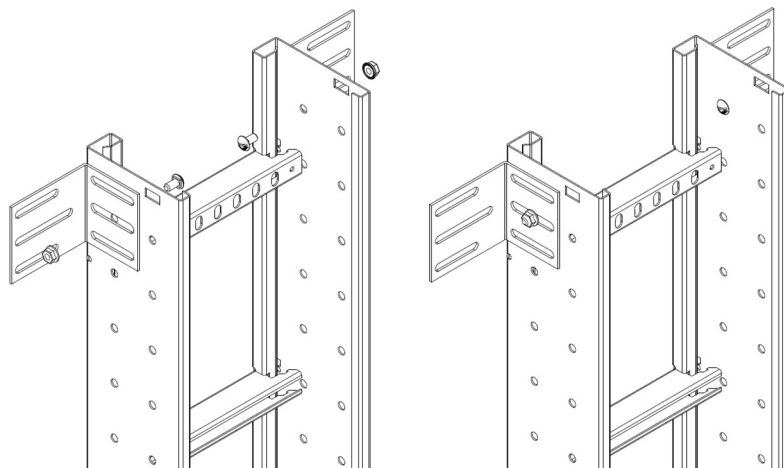
6. INSTALLATION

■ 6.1 Screw

Use M6x12 screws + nut tightened to 11Nm
Reference(s): 350401 (ZnNi)

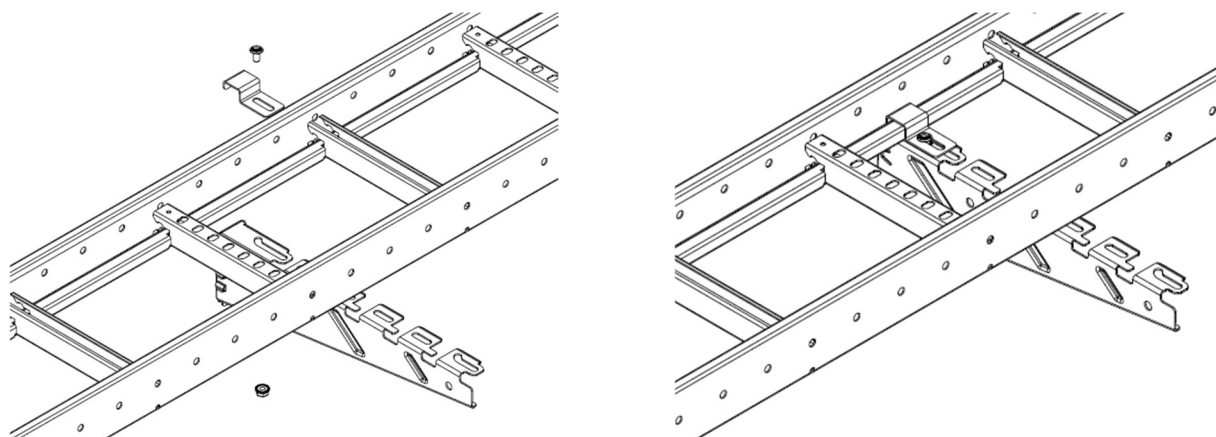
■ 6.2 Wall Bracket to cable ladder

Mount the wall bracket using 2 screws M6x12



■ 6.3 Screw Clamp on cable ladder

Mount the clip on the length and screw with the bracket.



Width Length	Bracket (HR)
200	350846
300	350856
400	350866
500	350876
600	350806

7. TECHNICAL DATA

■ 7.1 Climatic characteristics

Storage and operating temperature: - 20° C à + 120° C

■ 7.2 Material characteristics

Material finish	Material	Standard	Resistance class against corrosion
ZnMg	DX51D + ZM310 A-C	EN 10364	Classe 8 – IEC 61537

8. CONFORMITY - CERTIFICATION

Comply with IEC 61537 Cable tray systems
Certification: CE