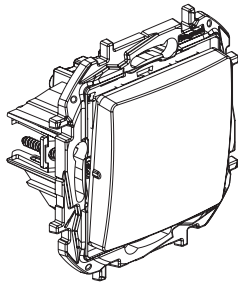
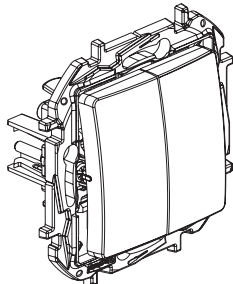


Niloé™ Lighting controls with mosaic adapter

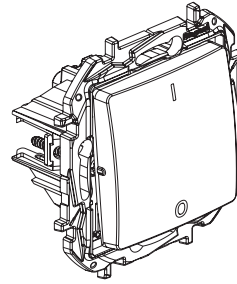
Cat. No(s): NP2010BK/MG/WH, NP2020BK/MG/WH,
NP2113BK/MG/WH, NP2130BK/MG/WH



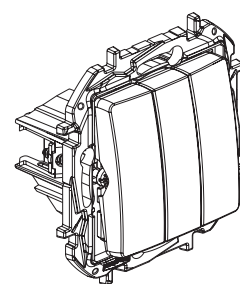
NP2010..



NP2020..



NP2113..



NP2130..

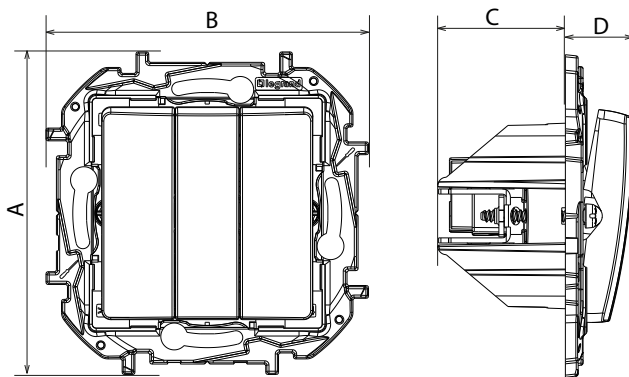
1. USE

Lighting controls mechanisms.
Flush or surface mounting.
Screw and claw fixing.
To be fitted with one-gang or multi-gang plates.

2. RANGE

Description	White	Medium Grey	Black
Intermediate switch	NP2010WH	NP2010MG	NP2010BK
Double intermediate switch	NP2020WH	NP2020MG	NP2020BK
One-way two-gang switch	NP2113WH	NP2113MG	NP2113BK
One-way three-gang switch	NP2130WH	NP2130MG	NP2130BK

3. DIMENSIONS (mm)



A	B	C	D
75.8	75.8	30	15.2

4. CONNECTION

Type of terminals: screws
Terminal capacity: NP2010.., NP2020.., NP2113.. : 2 x 2.5 mm²
NP2130.. : 4 mm²
Stripping length: NP2020.. 9 mm
NP2010.., NP2113.., NP2130.. 10 mm

Compatible with flexible or rigid cables.

5. TECHNICAL CHARACTERISTICS

■ 5.1 Mechanical characteristics

Protection against solid bodies and liquids: IP 20
Protection against mechanical impact: IK 04

■ 5.2 Material characteristics

Polyglass appearance
Mechanism casing: PC
Halogen-free
Claws: steel

Support frame: PC + GF
Halogen-free

Self-extinguishing:

850°C/30 s for insulating components holding live parts in place.
650°C/30 s for other insulating components.

■ 5.3 Electrical characteristics

NP2010.., NP2020.., NP2113..

Voltage: 250 V~
Current: 10 AX
Maximum power on integrated ballast lamps: 200 W
Frequency: 50/60 Hz

NP2130..

Voltage: 250 V~
Current: 20 AX
Maximum power on integrated ballast lamps: 200 W
Frequency: 50/60 Hz

■ 5.4 Climate characteristics

Storage temperature: -10°C to + 70°C
Usage temperature: -5°C to + 40°C

6. CLEANING

Surface cleaning with a cloth.

Do not use: acetone, tar remover, trichloroethylene.

Maintenance with the following products:

Hexane, Methylated spirit, Soapy water, Diluted ammonia, Bleach diluted to 10%, Window-cleaning products.

Caution: Always test before using special cleaning products.

7. STANDARDS AND APPROVALS

Compliance with standards of installation and manufacturing.

Refer to e. catalogue.

The undersigned, LEGRAND, declares that the radio-electric equipment type (Cat. Nos NP2010BK/MG/WH - NP2020BK/MG/WH - NP2113BK/MG/WH - NP2130BK/MG/WH) complies with directive 2014/53/EU.

The full text of the EU declaration of conformity is available on the fol-