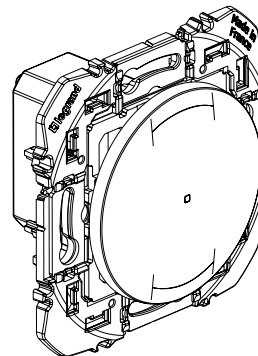


6 000 60A



6 000 66A

1. USE

These products allow the control and variation of all types of lamps.
 Can be associated with one or several push-buttons without neon, each push-button then allowing the on/off/dimming functions.
 Gradually turn the light on and off.
 Lights come on again at the same lighting level as before they were last switched off.

Used:

- in luminous mode (indicator)
- in status memory mode
- in leading mode, trailing depending on the load.

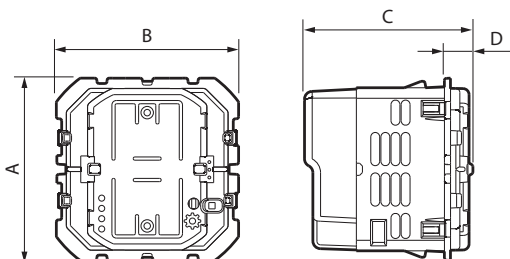
Installed in a box at least 40 mm deep.

Fixing with screws.

2. RANGE

6 000 60A	2-wire dimmer without neutral Mechanism to be equipped with support frame, rocker and plate.
6 000 66A	3-wire dimmer without neutral Mechanism to be equipped with support frame, rocker and plate.

3. DIMENSIONS (mm)



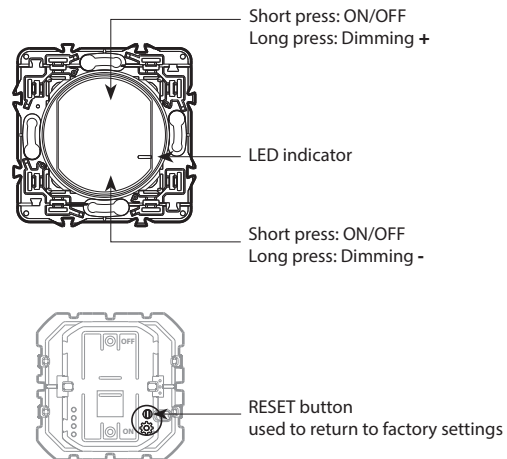
Cat. Nos	A	B	C	D
6 000 60A	73	73	45.55	32
6 000 66A	73	73	47.3	33.45

4. CONNECTION

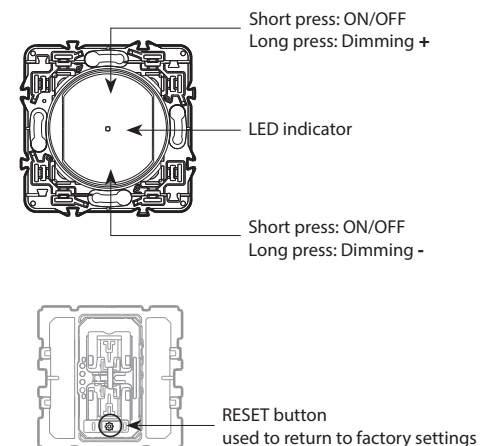
Type of terminals: with screws
 Terminal capacity: 2 x 1.5 mm² or 1 x 2.5 mm²
 Stripping length: 8 mm (without neutral)
 7 mm (with neutral)
 Screwdriver: 3 mm

5. OPERATION

■ 5.1 2-wire dimmer without neutral



■ 5.2 3-wire dimmer with neutral



6. TECHNICAL CHARACTERISTICS

■ 6.1 Mechanical characteristics

Protection against impacts: IK 04

Protection against solid bodies and liquids:

_IP 20 mounted product

_IP 41 mounted product with support frame and plate

■ 6.2 Material characteristics

Mechanism casing: PC

Support : PC + GS + insert acier

Cover plate: ABS

Rocker: ABS + PC

Plate (complete product): ABS

Halogen-free

UV-resistant Self-extinguishing:

850°C/30 s for insulating components holding live parts in place.

650°C/30 s for other insulating components.

■ 6.3 Electrical characteristics - 2-wire without neutral

Voltage: 110-230 V~

Power: 125 W

Frequency: 50/60 Hz

Standby consumption: 0.3 W

In case of poor load operation, it may be necessary to use the active compensator Ref. 0 401 49.

Caution: Only works with variable-intensity bulbs.



■ 6.4 Electrical characteristics 3-wire with neutral

Voltage: 110-240 V~

Power: 150 W

Frequency: 50/60 Hz

Standby consumption: 0.7 W

Caution: Only works with variable-intensity bulbs.



■ 6.5 Climate characteristics

Usage temperature: +5°C to +35°C

Storage temperature: 0°C to +45°C

7. CARE

Clean the surface with a cloth.

8. STANDARDS AND APPROVALS

Compliant with installation and manufacturing standards.

See e-catalogue.