

GLO4 – ENDCAP PVC

Reference(s): 8302110, 8302210, 8302310



1. USE

Endcap for cable ladder in height H60, H100 and H150

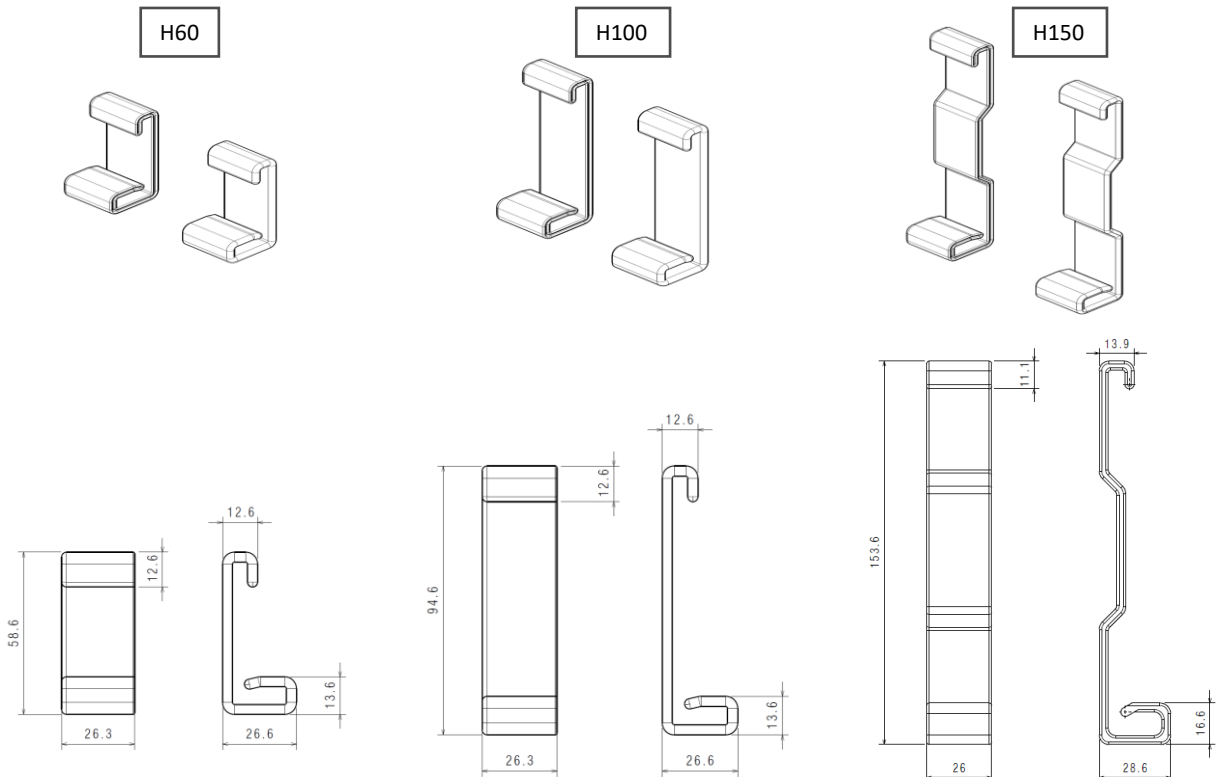
2. RANGE

2.1 Endcap PVC

Description	Code	Weight		Thickness		Coating
		(kg)	(lb)	(mm)	(inch)	
GLO-4 ENDCAP COV. H60 YW PVC	8302110	0,01	0,02	1,3	0,05	PVC
GLO-4 ENDCAP COV. H100 YW PVC	8302210	0,01	0,02			
GLO-4 ENDCAP COV. H150 YW PVC	8302310	0,02	0,04			

3. DIMENSIONS (mm/inch)

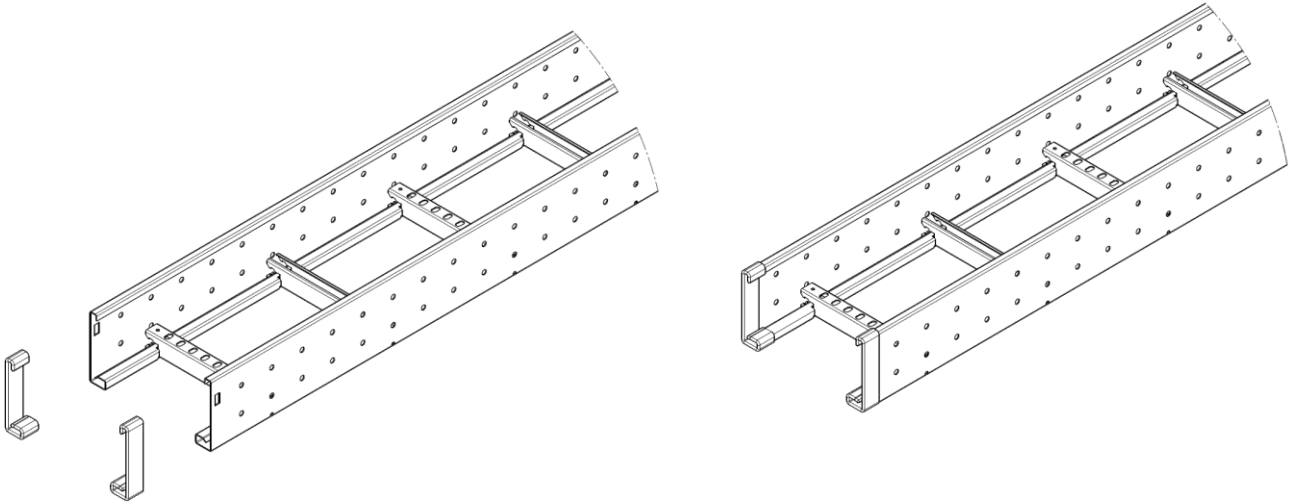
3.1 Endcap PVC dimensions



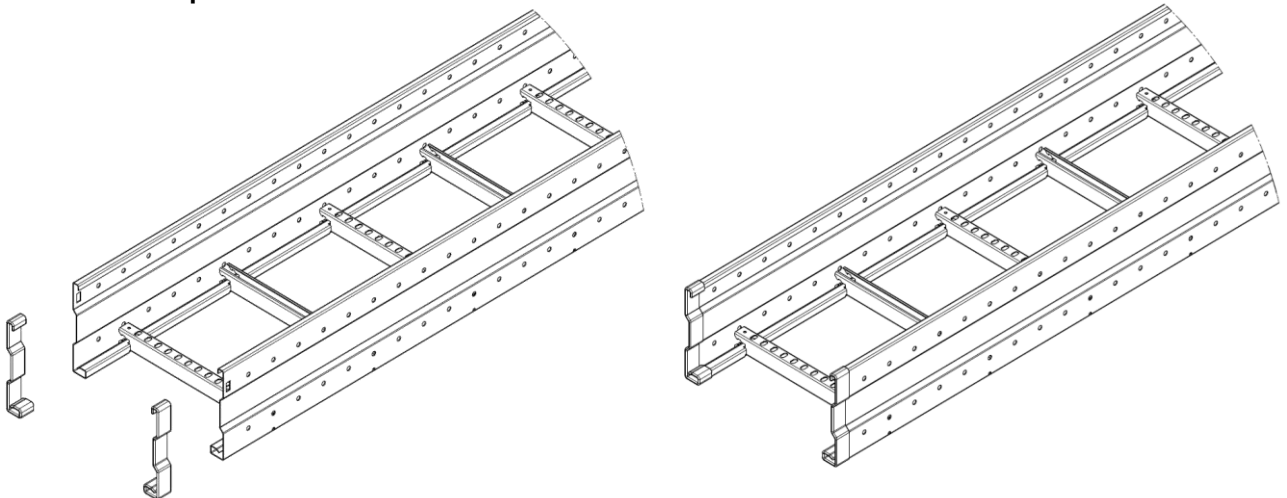
4. INSTALLATION

■ 4.1 Endcap covers to cable ladder

■ 4.1.1 Endcap H60 – H100



■ 4.1.2 Endcap H150



5. TECHNICAL DATA

■ 5.1 Climatic characteristics

Storage : + 10° C to + 25° C

Operating temperature : - 15° C to + 60° C

■ 5.2 Material characteristics

Material finish	Material	Standard	Resistance class against corrosion
PLASTICIZED PVC	PVC-P + Y70	ISO 868	---

6. CONFORMITY - CERTIFICATION

Comply with IEC 61537 Cable tray systems

Certification: CE