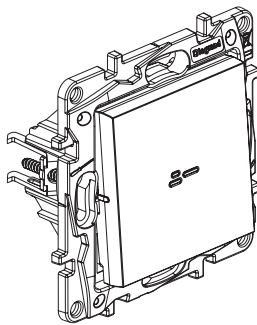


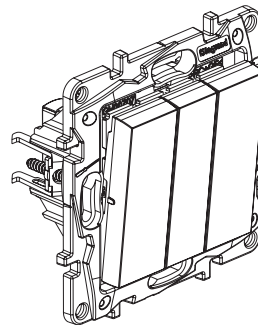
Niloé™ Next

Intermediate switch, One-way three gang switch

Cat. No(s): NNP2010BL/MG/WH, NNP2130BL/MG/WH



NNP2010..



NNP2130..

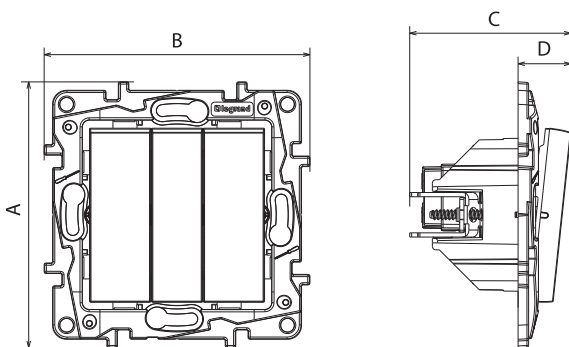
1. USE

Lighting controls mechanisms.
Supplied with protection cover.
Flush or surface mounting.
Screw or screw and claw mounting with claws.
To be fitted with one-gang or multi-gang plates.

2. RANGE

Description	White	Medium Grey	Black
Intermediate switch	NNP2010WH	NNP2010MG	NNP2010BL
One-way three-gang switch	NNP2130WH	NNP2130MG	NNP2130BL

3. DIMENSIONS (mm)



A	B	C	D
75.8	75.8	46	15.1

4. CONNECTION

Type of terminals: screws
Terminal capacity: 2 x 2.5 mm²
Stripping length: 10 mm
Compatible with flexible or rigid cables.

5. TECHNICAL CHARACTERISTICS

■ 5.1 Mechanical characteristics

Protection against solid bodies and liquids: IP 20
Protection against mechanical impact: IK 04

■ 5.2 Material characteristics

Mat appearance
Mechanism casing: PC
Halogen-free
Claws: steel

Support frame: PC
Halogen-free

Self-extinguishing:

850°C/30 s for insulating components holding live parts in place.
650°C/30 s for other insulating components.

■ 5.3 Electrical characteristics

NNP2010..

Voltage: 250 V~
Current: 16 AX
Maximum power on integrated ballast lamps: 200 W
Frequency: 50/60 Hz
Light indicator: LED 230V - 3 mA

NNP2130..

Voltage: 250 V~
Current: 20 AX
Maximum power on integrated ballast lamps: 200 W
Frequency: 50/60 Hz

■ 5.4 Climate characteristics

Storage temperature: -10°C to + 70°C
Usage temperature: -5°C to + 40°C

Niloé™ Next

Intermediate switch, One-way three gang switch

Cat. No(s): NNP2010BL/MG/WH, NNP2130BL/MG/WH

6. CLEANING

Surface cleaning with a cloth.

Do not use: acetone, tar remover, trichloroethylene.

Maintenance with the following products:

Hexane, Methylated spirit, Soapy water, Diluted ammonia, Bleach diluted to 10%, Window-cleaning products.

Caution: Always test before using special cleaning products.

7. STANDARDS AND APPROVALS

Compliance with standards of installation and manufacturing.

Refer to e. catalogue.

The undersigned, LEGRAND, declares that the radio-electric equipment type (Cat. Nos NNP2010BL/MG/WH - NNP2130BL/MG/WH) complies with directive 2014/53/EU.

The full text of the EU declaration of conformity is available on the following website: www.legrand.com/ecatalogue