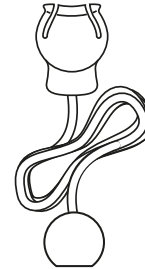
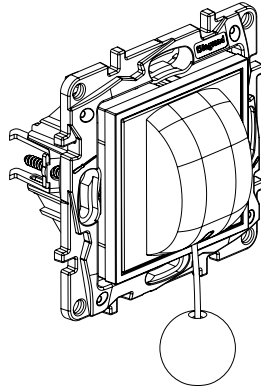


Niloé™ Next

Pull cord two-way switch 6 A

Cat. No(s): NNP2214BL/MG/WH



NNP2214BL/MG/WH

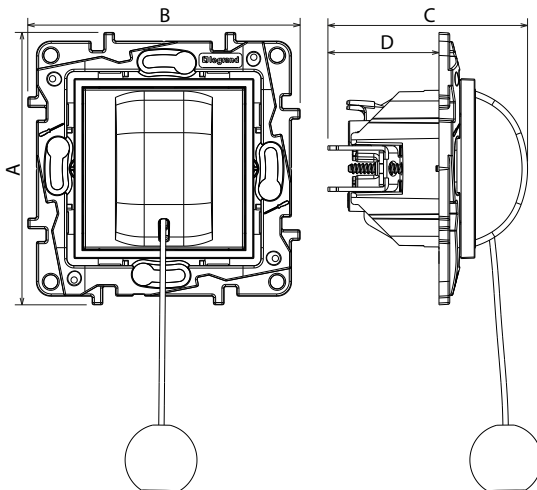
1. USE

Lighting controls mechanisms 6 A - 250 V~.
 Mechanisms supplied with protection cover.
 To be equipped with plates one or several gangs.
 Flush-mounting or surface-mounting.
 Screw or claw fixing.

2. RANGE

| Description | Mechanism + Cover plate | | |
|--------------------------|-------------------------|-------------|-----------|
| | White | Medium Grey | Black |
| Pull cord two-way switch | NNP2214WH | NNP2214MG | NNP2214BL |

3. DIMENSIONS (mm)



| References | A | B | C | D |
|------------|------|------|------|----|
| NNP2214.. | 75.8 | 75.8 | 55.6 | 31 |

4. CONNECTION

Type of terminals: automatic
 Capacity: 2 x 2.5 mm²
 Flexible or rigid cables compatible
 Stripping length : 12 mm

5. TECHNICAL CHARACTERISTICS

■ 5.1 Mechanical characteristics

Protection against solid bodies and liquids: IP 20
 Protection against impact: IK 04

■ 5.2 Material characteristics

Material : - Mechanism housing: PC
 - Rocker plate: ABS
 - Halogen free
 - UV resistant
 - Claws: steel

Material of the support: - PC + FV
 - Halogen free

Self-extinguishing:

+ 850° C / 30 s for insulating parts holding live parts in place
 + 650° C / 30 s for other parts made of insulating materials

■ 5.3 Electrical characteristics

Voltage: 250 V~
 Current: 6 A
 Frequency: 50/60 Hz

■ 5.4 Climatic characteristics

Storage temperature: - 10° C to +70° C
 Usage temperature: - 5° C to + 40° C

6. MAINTENANCE

Surface cleaning with a cloth.
 Do not use: acetone, tar remover, trichloroethylene.

Maintenance with the following products: Hexane, Methylated spirit, Soapy water, Diluted ammonia, Bleach diluted to 10%, Window-cleaning products.

Caution: A preliminary test should be carried out if other specific cleaning products are to be used.

7. STANDARDS AND APPROVALS

Compliance with standards of installation and manufacturing.
 Refer to e. catalogue.

The undersigned, LEGRAND, declares that the radio-electric equipment type (Cat. Nos NNP2214BL/MG/WH) complies with directive 2014/53/EU. The full text of the EU declaration of conformity is available on the following website: www.legrand.com/ecatalogue