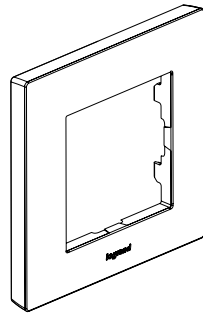
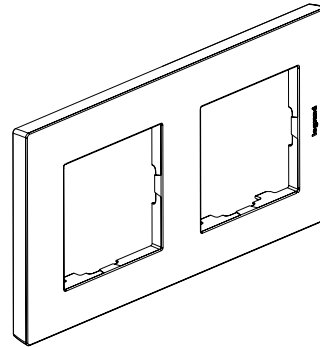


**Niloé™ Next
 Cover plates**

**Cat. No(s): NNP111BL/MG/WH, NNP112BL/MG/WH,
 NNP113BL/MG/WH, NNP114BL/MG/WH,
 NNP115BL/MG/WH**



NNP111..



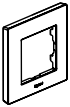
NNP112..

1. USE

Faceplates for Niloé Step from 1 to 5 gangs wiring accessories.
 Available in several colours.

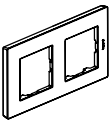
2. RANGE

1-gang plates

	White Medium grey Black	NNP111WH NNP111MG NNP111BL
---	-------------------------------	----------------------------------

2-gang plates

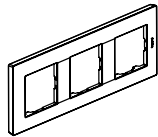
71 mm spacing - horizontal and vertical

	White Medium grey Black	NNP112WH NNP112MG NNP112BL
---	-------------------------------	----------------------------------

2. RANGE (continued)

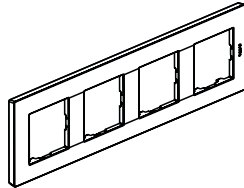
3-gang plates

71 mm spacing - horizontal and vertical

	White Medium grey Black	NNP113WH NNP113MG NNP113BL
--	-------------------------------	----------------------------------

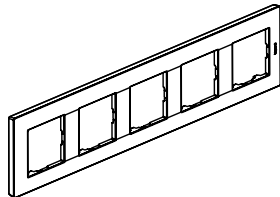
4-gang plates

71 mm spacing - horizontal and vertical

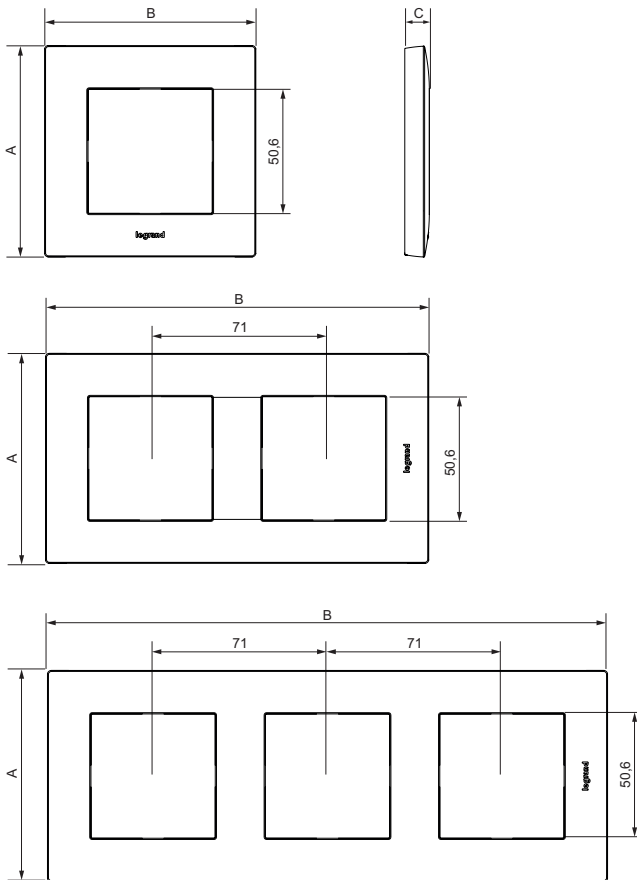
	White Medium grey Black	NNP114WH NNP114MG NNP114BL
--	-------------------------------	----------------------------------

5-gang plates

71 mm spacing - horizontal and vertical

	White Medium grey Black	NNP115WH NNP115MG NNP115BL
--	-------------------------------	----------------------------------

3. OVERALL DIMENSIONS (mm)



	A	B	C
1-gang	86	86	10
2-gang 71 mm fixing centres	86	157	10
3-gang 71 mm fixing centres	86	228	10
4-gang 71 mm fixing centres	86	299	10
5-gang 71 mm fixing centres	86	370	10

4. TECHNICAL CHARACTERISTICS

■ 4.1 Materials

Mat surface appearance

Material: - ABS plate
- Halogen-free
- UV resistant

Self-extinguishing:

+ 850°C/30 s for insulating parts holding live parts in place
+ 650°C/30 s for other parts made of insulating materials

■ 4.2 Climatic characteristics

Storage temperature: - 10° C to +70° C

Usage temperature: - 5° C to + 40° C

5. CLEANING

Clean the surface with a cloth.

Do not use acetone, tar-removing cleaning agents or trichloroethylene.

Caution: An initial test is required for the use of other special maintenance products.

7. STANDARDS AND APPROVALS

The undersigned, LEGRAND, declares that the radio-electric equipment type (Cat. Nos NNP111BL/MG/WH - NNP112BL/MG/WH - NNP113BL/MG/WH - NNP114BL/MG/WH - NNP115BL/MG/WH) complies with directive 2014/53/EU.

The full text of the EU declaration of conformity is available on the following website: www.legrand.com/ecatalogue