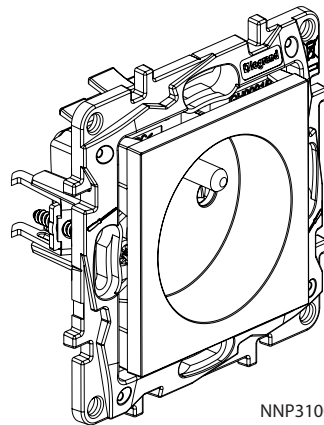


Niloé™ Next

Socket outlets - French Standard

Cat. No(s): NNP3100BL/MG/WH



NNP3100..

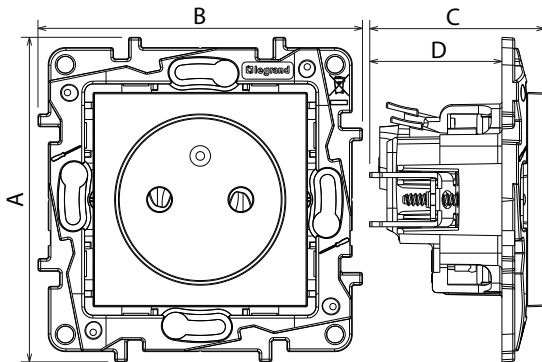
1. USE

Socket outlets with shutters.
 Mechanisms supplied with protection cover.
 To be equipped with plates one or several gangs.
 Flush-mounting or surface-mounting.
 Screw or claw fixing.

2. RANGE

Description	White	Medium Grey	Black
2 P+E socket shutters automatic terminal	NNP3100WH	NNP3100MG	NNP3100BL

3. DIMENSIONS (mm)



References	A	B	C	D
NNP3100..	75.8	75.8	53.8	22.3

4. CONNECTION

Capacity: 2 x 2.5 mm²
 Flexible or rigid cables compatible
 Type of terminals: automatic
 Stripping length: 12 mm

5. TECHNICAL CHARACTERISTICS

■ 5.1 Mechanical characteristics

Protection against solid bodies and liquids: IP 20
 Protection against impact: IK 04

■ 5.2 Material characteristics

Mat appearance
 Material: - Mechanism housing + Support: PC+SUP
 - UV resistant
 - Claws: steel

Self-extinguishing:

+ 850° C / 30 s for insulating parts holding live parts in place
 + 650° C / 30 s for other parts made of insulating materials

■ 5.3 Electrical characteristics

Voltage: 250 V~
 Current: 16 A
 Frequency: 50/60 Hz

■ 5.4 Climatic characteristics

Storage temperature: - 10° C to +70° C
 Usage temperature: - 5° C to + 40° C

6. MAINTENANCE

Surface cleaning with a cloth.

Do not use: acetone, tar remover, trichloroethylene.

Maintenance with the following products: Hexane, Methylated spirit, Soapy water, Diluted ammonia, Bleach diluted to 10%, Window-cleaning products.

Caution: A preliminary test should be carried out if other specific cleaning products are to be used.

7. STANDARDS AND APPROVALS

The undersigned, LEGRAND, declares that the radio-electric equipment type (Cat. Nos NNP3100BL/MG/WH) complies with directive 2014/53/EU.

The full text of the EU declaration of conformity is available on the following website: www.legrand.com/ecatalogue