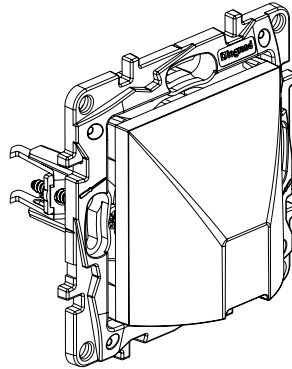


## Niloé™ Next Cable outlets

Cat. No(s): NNP351BL/MG/WH



NNP351..

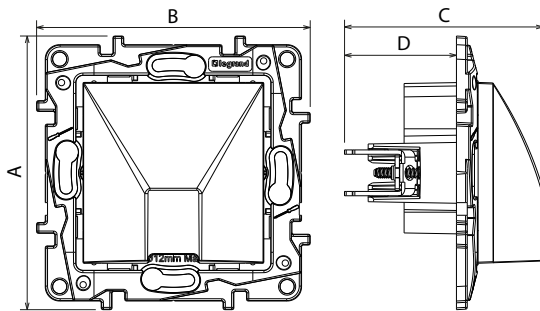
### 1. USE

Cable outlets.  
 Mechanisms supplied with protection cover.  
 To be equipped with plates one or several gangs.  
 Flush-mounting or surface-mounting.  
 Screw or claw mounting.

### 2. RANGE

Description	White	Medium Grey	Black
Cable outlet	NNP351WH	NNP351MG	NNP351BL

### 3. DIMENSIONS (mm)



References	A	B	C	D
NNP351..	75.8	75.8	53	31

### 4. CONNECTION

Capacity maxi: 3 x 2.5 mm<sup>2</sup>  
 Maximum diameter of the cable: 12 mm  
 Flexible or rigid cables compatible

### 5. TECHNICAL CHARACTERISTICS

#### ■ 5.1 Mechanical characteristics

Protection against solid bodies and liquids: IP 20  
 Protection against impact: IK 04

### 5. TECHNICAL CHARACTERISTICS (continued)

#### ■ 5.2 Material characteristics

Mat appearance  
 Material : - Halogen free  
 - UV resistant  
 - Claws: steel  
 Material of the support: - PC + FV  
 - Halogen free

Self-extinguishing:  
 + 850° C / 30 s for insulating parts holding live parts in place  
 + 650° C / 30 s for other parts made of insulating materials

#### ■ 5.3 Electrical characteristics

Voltage: 250 V~  
 Current: 16A  
 Frequency: 50/60 Hz

#### ■ 5.4 Climatic characteristics

Storage temperature: - 10° C to + 70° C  
 Use temperature: - 5° C to + 40° C

### 6. MAINTENANCE

Surface cleaning with a cloth.  
 Do not use: acetone, tar remover, trichloroethylene.  
 Maintenance with the following products: Hexane, Methylated spirit, Soapy water, Diluted ammonia, Bleach diluted to 10%, Window-cleaning products.

**Caution:** A preliminary test should be carried out if other specific cleaning products are to be used.

### 7. STANDARDS AND APPROVALS

The undersigned, LEGRAND, declares that the radio-electric equipment type (Cat. Nos MMP351BL/MG/WH) complies with directive 2014/53/EU. The full text of the EU declaration of conformity is available on the following website: [www.legrand.com/ecatalogue](http://www.legrand.com/ecatalogue)