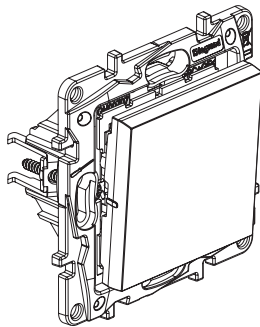
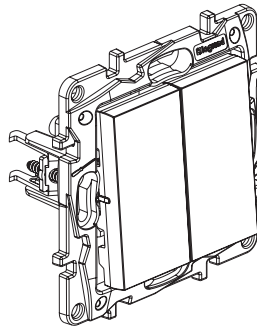


Niloé™ Next Lighting controls

Cat. No(s): NNP2110BL/MG/WH, NNP2120BL/MG/WH, NNP2210BL/MG/WH,
NNP2211BL/MG/WH, NNP2220BL/MG/WH, NNP2221BL/MG/WH,
NNP2316WH, NNP2320WH, NNP2921BL/MG/WH



NNP2110..



NNP2220..

1. USE

Lighting controls mechanisms NNP2110.., NNP2110.., NNP2120.., NNP2210.., NNP2211.., NNP2220.., NNP2221.., NNP2316.. 10 AX - 250 V~.

Push button mechanism NNP2320.., NNP2921.. 6A-250 V~.

Mechanisms supplied with protection cover.

To be equipped with plates one or several gangs.

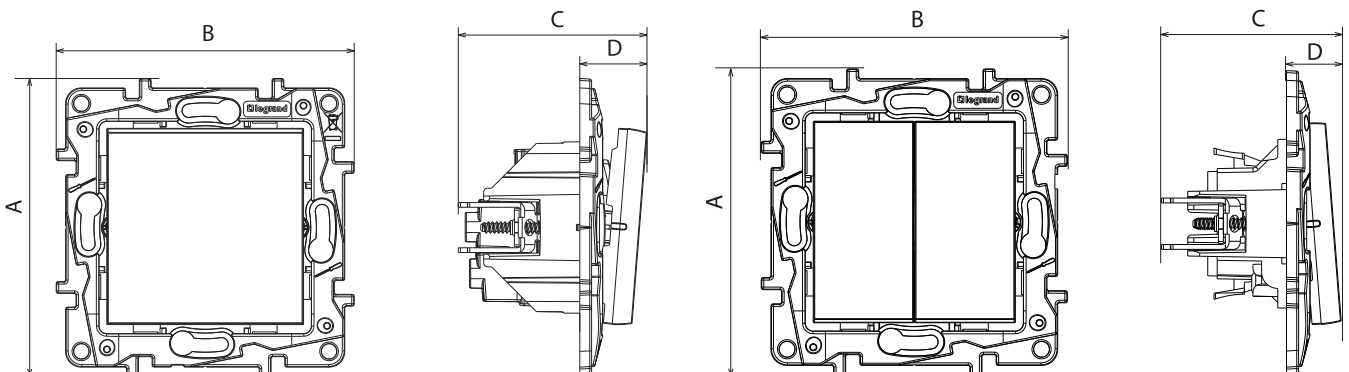
Flush-mounting or surface-mounting.

Screw or claw fixing.

2. RANGE

Description	White	Medium Grey	Black
One-way switch	NNP2110WH	NNP2110MG	NNP2110BL
Two-gang one-way switch	NNP2120WH	NNP2120MG	NNP2120BL
Two-way switch	NNP2210WH	NNP2210MG	NNP2210BL
Two-gang two-way switch	NNP2220WH	NNP2220MG	NNP2220BL
Illuminated two-way switch	NNP2211WH	NNP2211MG	NNP2211BL
Illuminated two-gang two-way switch	NNP2221WH	NNP2221MG	NNP2221BL
One-way two-gang push button	NNP2320WH	-	-
Illuminated push button	NNP2316WH	-	-
Two-way 10 AX push button 6A claws	NNP2921WH	NNP2921MG	NNP2921BL

3. DIMENSIONS (mm)



A	B	C	D
75.8	75.8	48	17.1

A	B	C	D
75.8	75.8	44.5	13.5

4. CONNECTION

Type of terminals: automatic
Stripping length: 13 mm
Capacity: 2 x 2.5 mm²
Flexible or rigid cables compatible

5. TECHNICAL CHARACTERISTICS

■ 5.1 Mechanical characteristics

Protection against solid bodies and liquids: IP 20
Protection against impact: IK 04

■ 5.2 Material characteristics

Mat appearance
Mechanism housing: PC
Rocker plate: ABS
Halogen-free
UV-resistant

Claws: steel

Support: PC + GF
Halogen-free

Self-extinguishing:

850°C/30 s for insulating components holding live parts in place
650°C/30 s for other insulating components

■ 5.3 Electrical characteristics

Voltage: 250 V~
Current: NNP2110., NNP2110., NNP2120., NNP2210., NNP2211.,
NNP2220., NNP2221.. 10 AX
NNP2320., NNP2921.. 6A

Frequency: 50/60 Hz

Maximum power on integrated ballast lamps: 100 W

■ 5.4 Climate characteristics

Storage temperature: -10°C to +70°C
Usage temperature: -5°C to +40°C

6. MAINTENANCE

Surface cleaning with a cloth.

Do not use: acetone, tar remover, trichloroethylene.

Maintenance with the following products:

Hexane, methylated spirit, soapy water, diluted ammonia, pure bleach
diluted to 10%, window-cleaning products.

Caution: Always test before using other special cleaning products

7. STANDARDS AND APPROVALS

The undersigned, LEGRAND, declares that the radio-electric equipment type (Cat. Nos NNP2110BL/MG/WH - NNP2120BL/MG/WH - NNP2210BL/MG/WH - NNP2211BL/MG/WH - NNP2220BL/MG/WH - NNP2221BL/MG/WH - NNP2316WH - NNP2320WH - NNP2921BL/MG/WH) complies with directive 2014/53/EU.

The full text of the EU declaration of conformity is available on the following website: www.legrand.com/ecatalogue