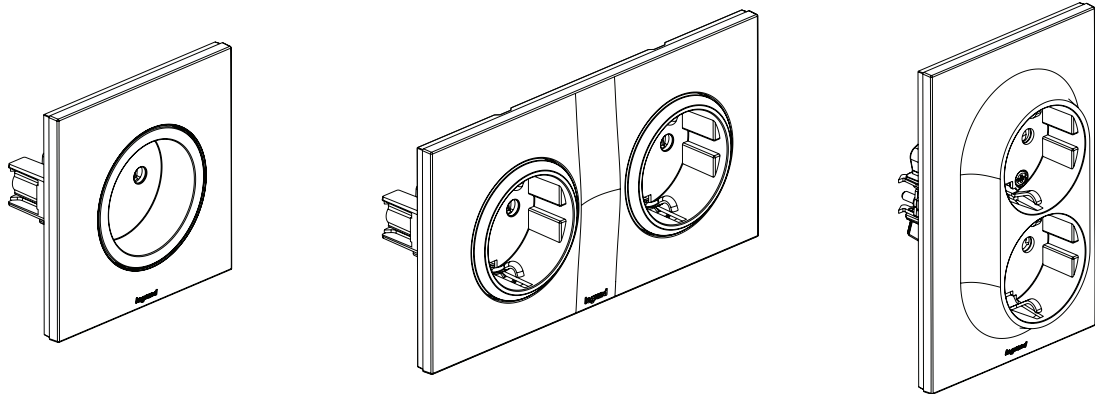


Urbano™ Socket outlets

Cat. No(s): UB3110GR/WH - UB3111GR/WH - UB3112GR/WH
 UB3121GR/WH - UB3122GR/WH - UB3123GR/WH
 UB3124GR/WH



1. USE

Socket outlets.
 Mechanisms delivered with plate supports and claws.
 Flush-mounted or surface-mounted.
 Claw or screw fixing.

2. RANGE

2P+T Socket - 16 A - 250 V~ - with claws

| | Description | White | Grey |
|--|---------------------------------------|----------|----------|
| | 2P+E socket outlets Franco-Belgian | UB3111WH | UB3111GR |
| | 2P+E socket outlets Schuko | UB3112WH | UB3112GR |

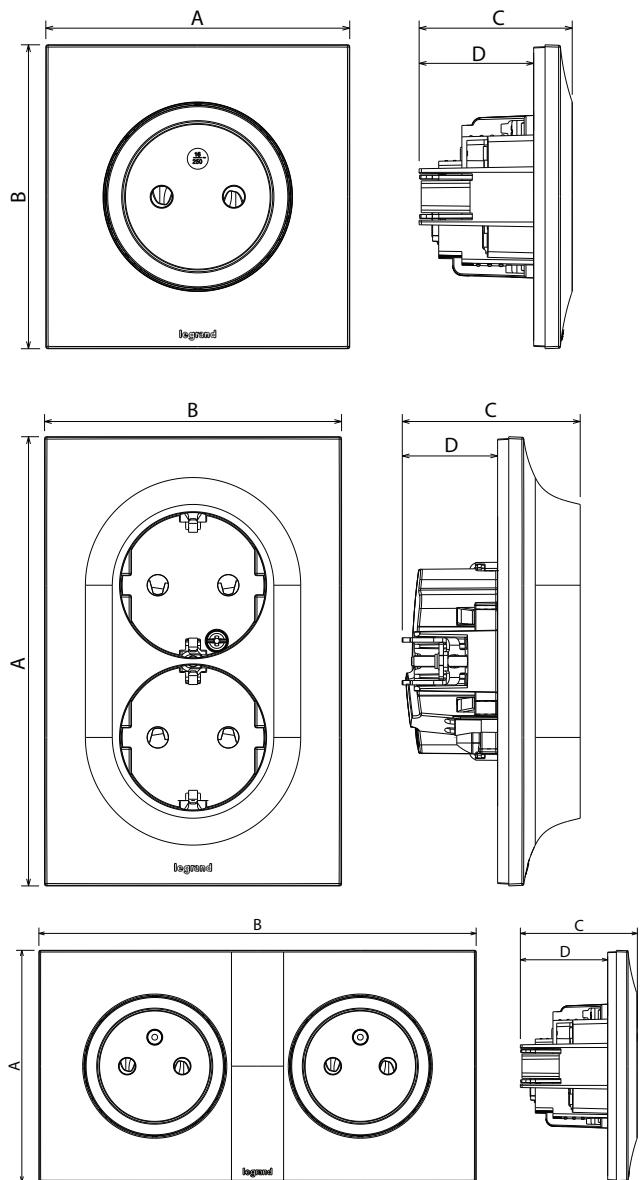
2 x 2P+T Socket - 16 A - 250 V~ - with claws

| | Description | White | Grey |
|--|--|----------|----------|
| | 2 x 2P+E socket outlets Schuko compact Single post | UB3122WH | UB3122GR |
| | 2 x 2P+E socket outlets Franco-Belgian compact Single post | UB3121WH | UB3121GR |
| | 2 x 2P+E socket outlets Franco-Belgian compact Two posts | UB3123WH | UB3123GR |
| | Prises 2 x 2 P + T schuko compactes sans éclips Two posts | UB3124WH | UB3124GR |

2P Socket - 16 A - 250 V~ - with claws

| | Description | White | Grey |
|--|-------------------|----------|----------|
| | 2P socket outlets | UB3110WH | UB3110GR |

3. OVERALL DIMENSIONS (mm)



3. OVERALL DIMENSIONS (mm) (continued)

| Références | A | B | C | D |
|-------------|-----|-----|-------|-------|
| UB3110GR/WH | 80 | 80 | 40.3 | 30.15 |
| UB3111GR/WH | 80 | 80 | 40.4 | 30.15 |
| UB3112GR/WH | 80 | 80 | 43.15 | 30.15 |
| UB3121GR/WH | 121 | 80 | 45.2 | 26 |
| UB3122GR/WH | 121 | 80 | 48 | 25.7 |
| UB3123GR/WH | 80 | 151 | 40.4 | 30.15 |
| UB3124GR/WH | 80 | 151 | 43.15 | 30.15 |

4. CONNECTION

Type of terminals: screw
 Terminal capacity: 1.5 mm² - 2.5 mm² (1 or 2 conductors)
 Stripping length: 10 mm

5. TECHNICAL CHARACTERISTICS

■ 5.1 Protection index

Protection against solid bodies and liquids: IP20
 Protection against impacts: IK 04

■ 5.2 Material characteristics

Front plate, rocker: ABS
 Mechanism, support : PC
 Claws: steel
 UV-resistant
 Halogen-free

Self-extinguishing:
 850°C/30 s for insulating components holding live parts in place.
 650°C/30 s for other insulating components.

■ 5.3 Electrical characteristics

Voltage: 250 V~
 Current: 16 A
 Frequency: 50/60 Hz

■ 5.4 Climate characteristics

Storage temperature: - 10° C to + 70° C
 Use temperature: - 5° C to + 35° C

6. CLEANING

Surface cleaning with a cloth.
 Do not use: acetone, tar remover, trichloroethylene.
 Maintenance with the following products: Hexane (EN 60669-1),
 Methylated spirit, Soapy water, Diluted ammonia, Bleach diluted to 10%,
 Window-cleaning products, Pre-saturated wipes.

Caution: A preliminary test should be carried out if other specific
 cleaning products are to be used.

7. STANDARDS AND APPROVALS

Compliance with standards of installation and manufacturing.
 Refer to e.catalogue.