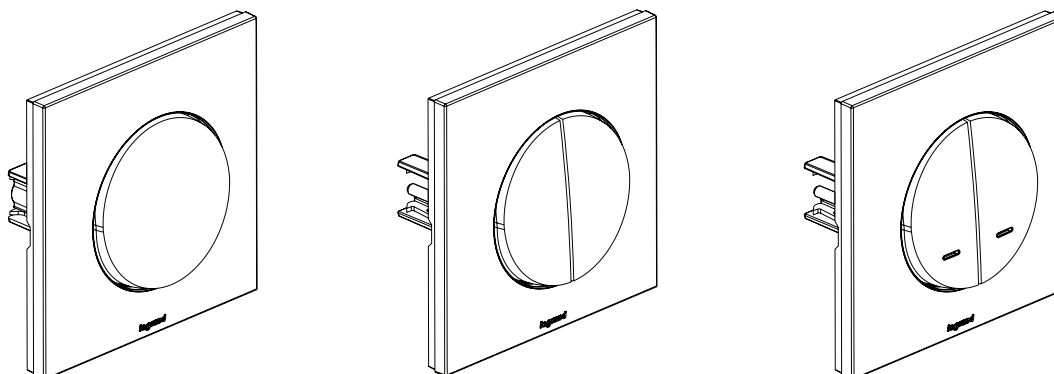


Urbano™ Switches and 2-way switches 10 AX

Cat. No(s): UB2110GR/WH - UB2210GR/WH - UB2220GR/WH
 UB2010GR/WH - UB2020GR/WH - UB2120GR/WH
 UB2211GR/WH - UB2221GR/WH



1. USE

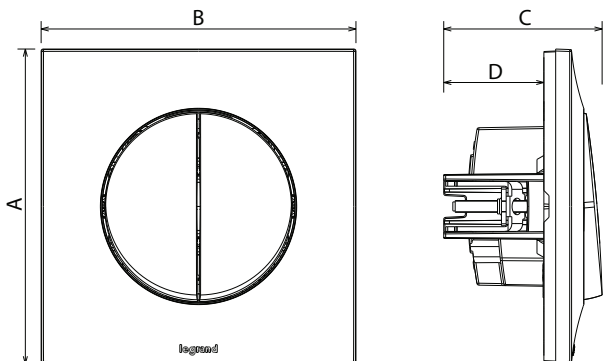
Lighting control mechanisms.
 Supplied with rockers, support frames and plate.
 Equipped with one-gang plate.
 Flush or surface mounting.
 Fixing with screws or/and claws.

2. RANGE

SWITCHES AND 2-WAY SWITCHES 10 AX - 250 V~ - with claws

Description	White	Grey
Switch	UB2110WH	UB2110GR
Two-way switch	UB2210WH	UB2210GR
Double commutateur	UB2020WH	UB2020GR
Double switch	UB2120WH	UB2120GR
Double two-way switch	UB2220WH	UB2220GR
Intermediate switch	UB2010WH	UB2010GR
Lighting two-way switch	UB2211WH	UB2211GR
Lighting double two-way switch	UB2221WH	UB2221GR

3. OVERALL DIMENSIONS (mm)



3. OVERALL DIMENSIONS (mm) (continued)

References	A	B	C	D
UB2110GR/WH - UB2210GR/WH - UB2211GR/WH	80	80	35.8	14.5
UB2020GR/WH - UB2120GR/WH	80	80	40.3	16
UB2220GR/WH - UB2221GR/WH				
UB2010GR/WH	80	80	44.3	14.5

4. CONNECTION

Type of terminals: screw
 Terminal capacity: 1.5 mm² - 2.5 mm² (1 or 2 conductors)
 Stripping length: 9 mm
 Flexible or rigid cables compatible.

5. TECHNICAL CHARACTERISTICS

■ 5.1 Protection index

Protection against solid bodies and liquids: IP20
 Protection against impacts: IK 04

■ 5.2 Material characteristics

Front plate, rocker: ABS
 Mechanism, support : PC
 Claws: steel

UV-resistant
 Halogen-free

Self-extinguishing:

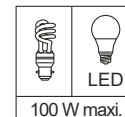
85°C/30 s for insulating components holding live parts in place.
 650°C/30 s for other insulating components.

■ 5.3 Electrical characteristics

Voltage: 250 V~
 Current: 10 AX
 Frequency: 50/60 Hz
 Maximum power on lamps with integrated ballast (LED lamps and compact fluorescent): 100 W

■ 5.4 Climate characteristics

Storage temperature: - 10° C to + 70° C
 Use temperature: - 5° C to + 35° C



6. CLEANING

Surface cleaning with a cloth.

Do not use: acetone, tar remover, trichloroethylene.

Maintenance with the following products: Hexane (EN 60669-1), Methylated spirit, Soapy water, Diluted ammonia, Bleach diluted to 10%, Window-cleaning products, Pre-saturated wipes.

Caution: A preliminary test should be carried out if other specific cleaning products are to be used.

7. STANDARDS AND APPROVALS

Compliance with standards of installation and manufacturing.
Refer to e.catalogue.