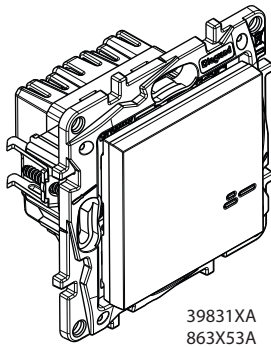
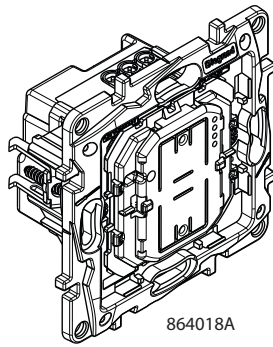


Niloé STEP™
Dimmer without neutral 125 VA
Dimmer with neutral 150 VA

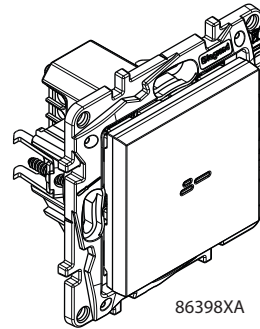
Cat. No(s): 39831XA, 863X53A, 864018A,
 86398XA, 864040A



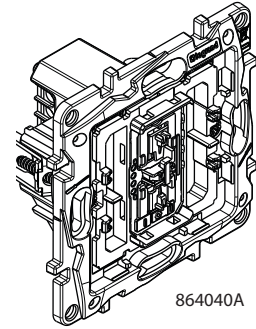
39831XA
863X53A



864018A



86398XA



864040A

1. USE

These products allow the control and variation of all types of lamps. Can be associated with one or several push-buttons without neon, each push-button then allowing the on/off/dimming functions. Gradually turn the light on and off.

Lights come on again at the same lighting level as before they were last switched off.

Used:

- in luminous mode (indicator)
- in status memory mode
- in leading mode, trailing depending on the load (see load tables on page 2).

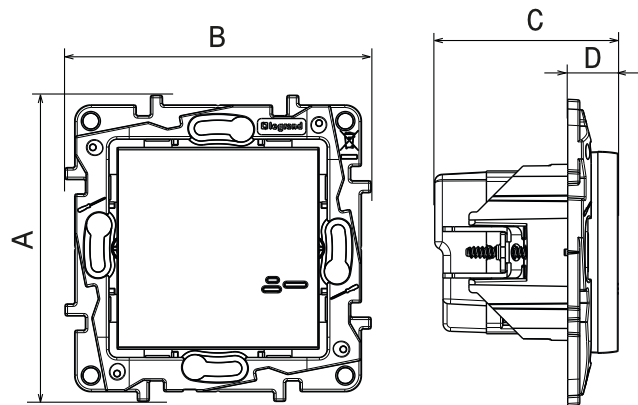
Installed in a box at least 40 mm deep.

Fixing with screws.

2. RANGE

References	Colour	Description	
398312A	White	2-wire dimmer without neutral	
398313A	Aluminium		
398314A	Black		
864018A	Mecha only		
863153A	White		
863353A	Aluminium		
863453A	Grey		
863553A	Black		
863980A	White		3-wire dimmer with neutral
863981A	Aluminium		
863982A	Grey		
863983A	Black		
864040A	Mecha only		

3. DIMENSIONS (mm)



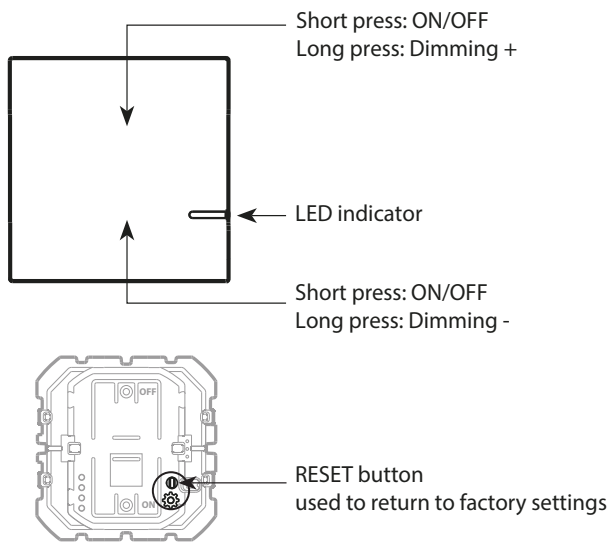
References	A	B	C	D
398312A	75,8	75,8	45,9	12,5
398313A	75,8	75,8	45,9	12,5
398314A	75,8	75,8	45,9	12,5
864018A	75,8	75,8	41,6	8,7
863153A	75,8	75,8	45,9	12,5
863353A	75,8	75,8	45,9	12,5
863453A	75,8	75,8	45,9	12,5
863553A	75,8	75,8	45,9	12,5
863980A	75,8	75,8	46,9	12,4
863981A	75,8	75,8	46,9	12,4
863982A	75,8	75,8	46,9	12,4
863983A	75,8	75,8	46,9	12,4
864040A	75,8	75,8	42,5	7,8

4. CONNECTION

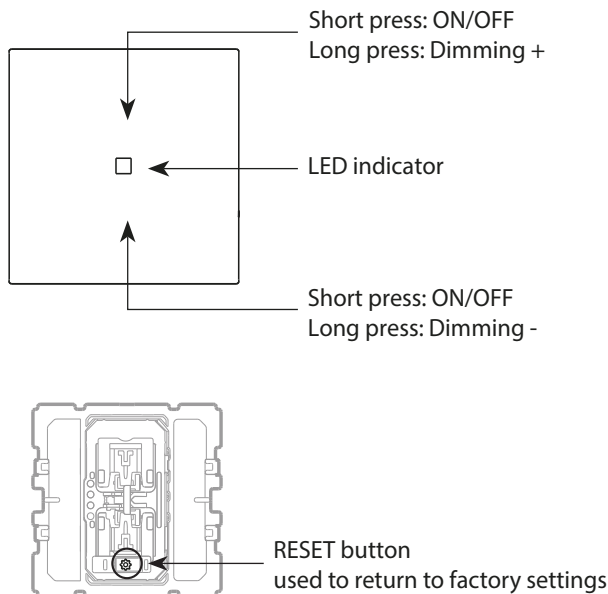
Type of terminals: with screws
 Terminal capacity: 2 x 1.5 mm² or 1 x 2.5 mm²
 Stripping length: 8 mm (without neutral)
 7 mm (with neutral)
 Screwdriver: 3 mm flat

5. OPERATION

■ 5.1 2-wire dimmer without neutral



■ 5.2 3-wire dimmer with neutral



6. TECHNICAL CHARACTERISTICS

■ 6.1 Mechanical characteristics

Protection against impacts: IK 04
 Protection against solid bodies/liquids: IP 20

■ 6.2 Material characteristics

Mechanism casing: PC
 Support: Grey PC RAL 7016
 Rocker: ABS
 Colours: White RAL 9003
 painted Aluminium, Grey, Black

Halogen-free
 UV-resistant

Self-extinguishing:

850°C/30 s for insulating parts holding live parts in place.
 650°C/30 s for the other insulating components.

6. TECHNICAL CHARACTERISTICS (continued)

■ 6.3 Climate characteristics

Usage temperature: + 5°C to + 45°C

Storage temperature: 0°C to + 45°C

■ 6.4 Electrical characteristics - 2-wire without neutral

Voltage: 110-230 V~

Power: 125 W

Frequency: 50/60 Hz

Standby consumption: 0.3 W

			Dimmable LED 		
230 V~	Max.	125 W	(*)125 VA	125 VA	125 VA
	Min.	3 W	(*)3 VA	3 VA	5 VA
110 V~	Max.	75 W	(*)75 VA	75 VA	75 VA
	Min.	3 W	(*)3 VA	3 VA	3 VA

(*) For comfortable lighting, we recommend using bulbs of the same type and make. Max. 10 bulbs.

Do not mix different load types on the same product.

Compatibility with ferromagnetic type loads is only possible in "Leading" mode (see product manual 39831XA or 863X53A or 864018A)

Caution: Only works with variable-intensity bulbs.



In case of poor load operation, it may be necessary to use the active compensator Ref. 0 401 49.

■ 6.5 Electrical characteristics 3-wire with neutral

Voltage: 110-230 V~

Power: 150 W

Frequency: 50/60 Hz

Standby consumption: 0.7 W

			Dimmable LED 		
230 V~	Maxi.	150 W	(*)150 VA	150 VA	150 VA
110 V~	Maxi.	75 W	(*)75 VA	75 VA	75 VA

(*) For comfortable lighting, we recommend using bulbs of the same type and make.

Max. 15 bulbs.

Do not mix different load types on the same product.

Compatibility with ferromagnetic type loads is only possible in "Leading" mode (see product data sheet 86398XA or 864040A).

Caution: Only works with variable-intensity bulbs.



7. MAINTENANCE

Clean the surface with a cloth.

Do not use acetone, tar-removing cleaning agents or trichloroethylene.

Resistant to the following products:

Hexane (EN 60669-1), methylated spirit, soapy water, diluted ammonia, bleach diluted to 10%, windowcleaning products, pre-impregnated wipes.

Caution: Always test before using special cleaning products.

Do not paint the plates.

8. STANDARDS AND APPROVALS

Compliant with installation and manufacturing standards.

See e-catalogue.