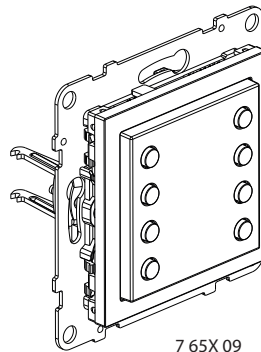


SEANO™
8 key multifunction control
BUS SCS

Cat. No(s): 7 65X 09



7 65X 09

1. USE

Flush mounted multifunction control, with 8 backlit keys in the centre section, where the icons indicating the functions allocated to the keys can be found.

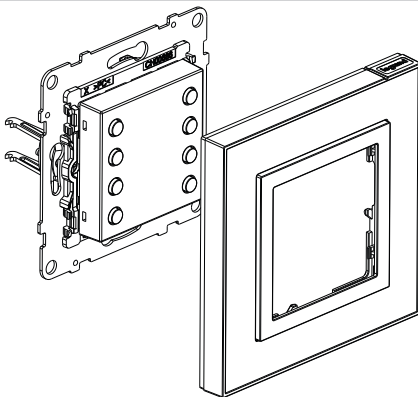
The device can be configured in two different ways:

- Physical configuration, by inserting the configurators in the appropriate housings.
- Configuration using the MyHOME_Suite software, which can be downloaded from the website www.homesystems-legrandgroup.com

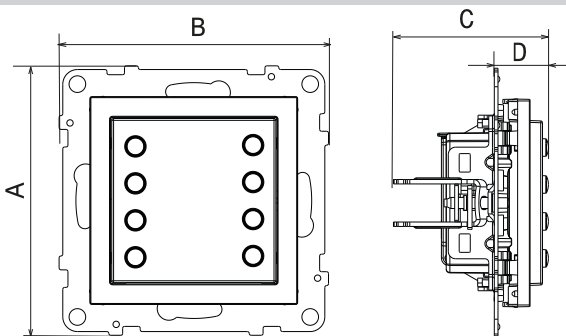
2. RANGE

Description	White	Aluminium	Black	Dark grey
8 key multifunction control BUS SCS	7 656 09	7 657 09	7 658 09	

3. DISMANTLING



4. DIMENSIONS (mm)



References	A	B	C	D
7 65X 09	72,9	72,9	41,9	14,6

5. CONNECTION

Flexible cables only
 TYPE OF TERMINALS:
 Special 2 pin terminal
 TERMINAL CAPACITY:
 2.5mm² / terminal
 STRIPPING LENGTH:
 8 mm
 5.1 Wiring
 See installation manual

6. TECHNICAL CHARACTERISTICS

6.1 Mechanical characteristics

Protection against solid bodies and liquids: IP20
 Protection against impact: IK04

6.2 Material characteristics

Polygloss appearance
 Colour: -
 -White RAL 9003
 Aluminium
 -Black/Dark grey

Material:
 Cover: ABS
 Base: Polycarbonate
 Halogen-free
 UV-resistant
 Self-extinguishing:
 • 850°C/30 s for insulating components holding live parts in place.
 • 650°C/30 s for other insulating components.

■ **6.3 Electrical characteristics**

Power supply from SCS BUS: 18 – 27 Vdc

Absorption:

with LEDs Off: 5 mA

with LEDs On at 100%: 20 mA

■ **6.4 Climate characteristics**

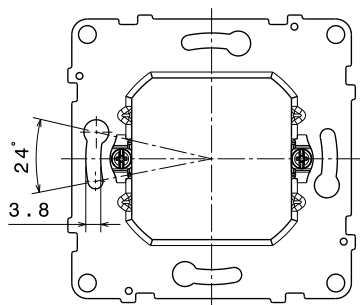
Operating temperature: 0°C to +40°C

Storage temperature: -10°C to +70°C

■ **6.5 Support**

Material of support: -Metal

Angular adjusting:

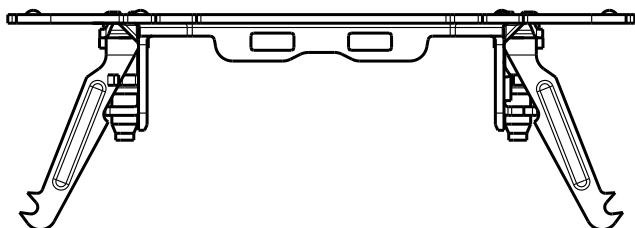


■ **6.6 Fixing with claws**

Number of turns to open the claws:

- 58 mm > 2,1 turns

- 65 mm > 2,75 turns



Performance of double teeth claws: extraction resistance

7. MAINTENANCE

Clean the surface with a cloth.

Do not use: Acetone, tar remover, trichloroethylene.

Resistance to cleaning products:

Hexane (EN 60669-1), Methylated spirit, Soapy water, Diluted ammonia,

Bleach diluted to 10%, Window-cleaning products.

Caution: Always test before using other special cleaning products.

8. STANDARDS AND APPROVALS

Compliant with installation and manufacturing standards.

See e. catalogue.