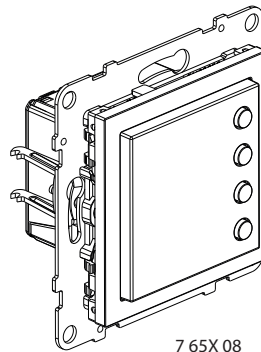


# SEANO™ Thermostat with display BUS SCS

Cat. No(s): 7 65X 08



7 65X 08

## 1. USE

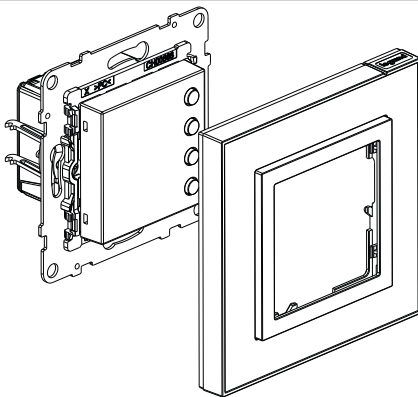
Thermostat with display for the control of the room temperature in temperature control systems. This device can be used both if a temperature control central unit is present or not present when appropriately configured it can be used as:

- MyHOME temperature control system probe;
- Hotel room thermostat;
- Residential system thermostat.

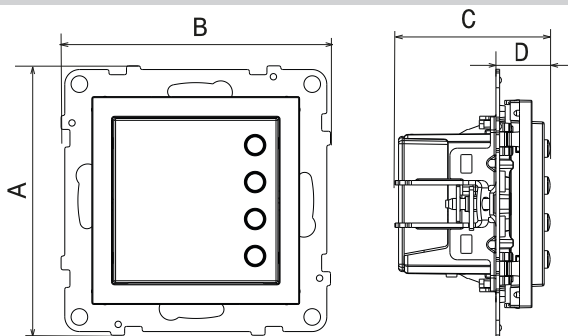
## 2. RANGE

Description	White	Aluminium	Black	Dark grey
Thermostat with display BUS SCS	7 656 08	7 657 08	7 658 08	

## 3. DISMANTLING



## 4. DIMENSIONS (mm)



References	A	B	C	D
7 65X 08	72,9	72,9	41,9	14,7

## 5. CONNECTION

Flexible cables only

TYPE OF TERMINALS:

Special 2 pin terminal

TERMINAL CAPACITY:

2.5mm<sup>2</sup> / terminal

STRIPPING LENGTH:

8 mm

5.1 Wiring

See installation manual

5.2 Installation

Recommended installation height: 150 cm from the ground

## 6. TECHNICAL CHARACTERISTICS

### ■ 6.1 Mechanical characteristics

IProtection against solid bodies and liquids: IP20

Protection against impact: IK04

### ■ 6.2 Material characteristics

Polygloss appearance

Colour:

-White RAL 9003

-Aluminium

-Black/Dark grey

Material:

Cover: ABS

Base: Polycarbonate

Halogen-free

UV-resistant

Self-extinguishing:

• 850°C/30 s for insulating components holding live parts in place.

• 650°C/30 s for other insulating components.

### ■ 6.3 Electrical characteristics

Power supply from SCS BUS: 18 – 27 Vdc

Absorption:

14 mA with display off

16 mA with low brightness display

30 mA with high brightness display

### ■ 6.4 Climate characteristics

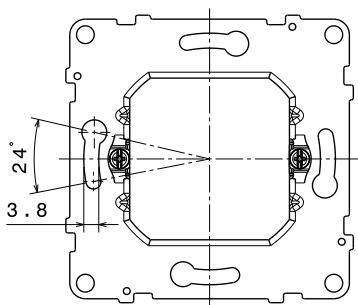
Operating temperature: 0°C to +40°C

Storage temperature: -10°C to +70°C

### ■ 6.5 Support

Material of support: -Metal

Angular adjusting:

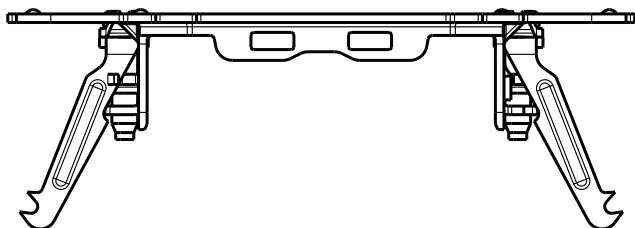


### ■ 6.6 Fixing with claws

Number of turns to open the claws:

- 58 mm > 2,1 turns

- 65 mm > 2,75 turns



Performance of double teeth claws: extraction resistance

## 7. MAINTENANCE

Clean the surface with a cloth.

Do not use: Acetone, tar remover, trichloroethylene.

Resistance to cleaning products:

Hexane (EN 60669-1), Methylated spirit, Soapy water, Diluted ammonia,

Bleach diluted to 10%, Window-cleaning products.

**Caution:** Always test before using other special cleaning products.

## 8. STANDARDS AND APPROVALS

Compliant with installation and manufacturing standards.

See e. catalogue.